

INSTALLATION INSTRUCTIONS AND OWNER'S MANUAL

INSTALLER:

Leave this manual with the appliance.

CONSUMER:

Retain this manual for future reference.

⚠ WARNING

For Outdoor Use Only.

⚠ WARNING

If you smell gas:

1. Shut off gas to the appliance.
2. Extinguish any open flame.
3. If odor continues, keep away from the appliance and immediately call your gas supplier or fire department.

⚠ WARNING

Improper installation, adjustment, alteration, service or maintenance can cause injury or property damage. Read the installation, operating and maintenance instructions thoroughly before installing or servicing this equipment.

⚠ WARNING

Do not store or use gasoline or other flammable vapors and liquids in the vicinity of this or any other appliance.

An Propane-cylinder not connected for use shall not be stored in the vicinity of this or any other appliance.

OUTDOOR LINEAR GAS FIREPLACE MODELS

OL48TP10(N,P)-1

OL48TP18(N,P)-1

OL60TP10(N,P)-1

OL60TP18(N,P)-1

GAS-FIRED



⚠ WARNING

If the information in these instructions are not followed exactly, a fire or explosion may result causing property damage, personal injury or loss of life.

⚠ WARNING

If not installed, operated and maintained in accordance with the manufacturer's instructions, this product could expose you to substances in fuel or from fuel combustion which can cause death or serious illness.

Installation and service must be performed by a qualified installer, service agency or the gas supplier.

NATIONAL
FIREPLACE
INSTITUTE



CERTIFIED
www.nficertified.org

We suggest that our gas hearth products be installed and serviced by professionals who are certified in the U.S. by the National Fireplace Institute® (NFI) as NFI Gas Specialists.



DANGER



CARBON MONOXIDE HAZARD

This appliance can produce carbon monoxide which has no odor.

Using it in an enclosed space can kill you.

Never use this appliance in an enclosed space such as a camper, tent, car or home.

BEFORE YOU START

1. Read the safety information on pages 4 and 5.
2. What to consider before installing. See pages 9 and 10.
3. Water drainage is required. See page 12. Optional drain tray available.
4. Where are you going to install the unit? See pages 9 to 12.
5. Enclosure construction. See pages 9 to 17.
6. Install the firepit. (Models with LED lights installed)
See pages 13 to 20.
7. Connect the electricity. See page 13.
8. Connect the gas. See pages 14 to 16.
9. Install the crushed glass. See page 20.
10. Light the firepit and troubleshoot. See pages 21 and 22.
11. Show the homeowner how to operate the firepit. See pages 21 to 23.
12. Show the homeowner how to do the basic maintenance.
See page 25.

Tools Needed:

- (1) - 1/8-inch Allen Wrench
- (2) - Adjustable wrenches with range of 1-inch for gas connection
- (2) - Adjustable pipe wrenches
- (1) - Phillips Screwdriver
- (1) - 5/16" Hex Nut Driver

CARTON CONTENTS			
Index No.	Description	Quantity Supplied	
		OL(48,60)TP10	OL(48,60)TP18
1	Instruction Envelope	1	1
2	Receptacle	-	1
3	Cover Plate	-	1
4	Conduit Connector 1/2-in.	-	1
5	AA Battery	1	1
6	Prop Tool	2	2

See Parts Lists on page 29 for ordering replacement parts. Do not order batteries, bolts, screws, washers or nuts. They are standard hardware items and can be purchased at any local hardware store.

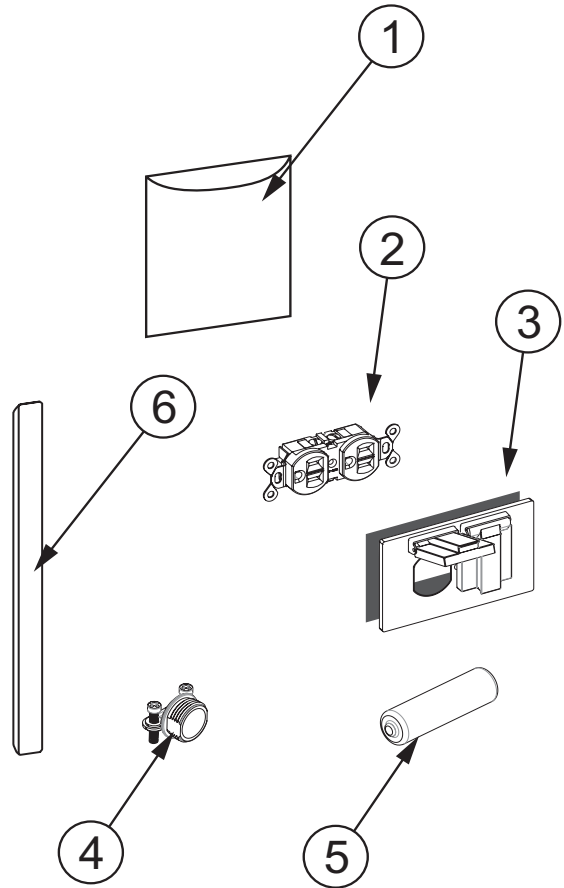


TABLE OF CONTENTS

SECTION	PAGE
Before You Start	2
Table Of Contents	3
Important Safety Information	4
Safety Information For Users Of Propane Gas	5
Product Specifications	6
Accessories	6
Firepit Dimensions	7
Introduction	8
Combustible Materials	11
Clearances	11
Planning Installation	9 - 12
Firepit Installation:	
- Electrical Supply.....	13
- Gas Supply.....	14
- Propane Gas Cylinder Information.....	15 - 16
- Firepit Enclosure Requirements.....	17 - 18
- Finishing.....	19 - 20
Lighting Instructions	21
Main Burner Flame Characteristics	22
Operation Instructions / LED Lights	23
Wiring	24
Maintenance	25
Troubleshooting	26
Master Parts Distributor List	27
How To Order Repair Parts	27
OL48TP Parts List	28
OL60TP Parts List	28
OL48TP Parts View	29
OL60TP Parts View	29
Firepit Service History	30
Warranty Terms	31

IMPORTANT SAFETY INFORMATION

ABOUT (WARNING) INFORMATION BELOW

This manual includes warnings intended to help protect you during the installation and use of this product. Each warning begins with the alert symbol and an alert word in bold letters—followed by the specifics of the warnings. Please review the sample warnings below.

SAMPLE WARNINGS AND DEFINITIONS:

⚠ DANGER: Indicates a hazardous situation which, if not avoided, will result in death or serious injury.

⚠ WARNING: Indicates a hazardous situation which, if not avoided, could result in death or serious injury.

⚠ CAUTION: Indicates a hazardous situation which, if not avoided, could result in minor or moderate injury.

NOTICE: Addresses practices not related to personal injury.

⚠ DANGER

- Children and adults should be alerted to the hazard of high surface temperature and should stay away to avoid burns or clothing ignition.
- Young children should be carefully supervised when they are in the same area with the firepit.
- Clothing or other flammable materials should not be hung near the firepit, or placed on or near the firepit.
- Keep the firepit area clear and free from combustible material, gasoline and other flammable vapors and liquids.
- Never lean over the firepit when lighting, or during operation.

⚠ WARNING

- Do not place debris, logs, or other articles in firepit during operation.
- Any modification to controls can be dangerous. Improper installation can cause serious injury or death from fire, burns, explosion or carbon monoxide poisoning.
- Make a periodic visual check of burners. Clean and replace damaged parts.
- Never use the firepit for cooking.

- Installer: Please leave these instructions with the owner for future reference
- This unit complies with ANSI Z21.97/CSA 2.41 for Outdoor Gas Fireplaces.
- Installation and repair should be done by a **QUALIFIED SERVICE PERSON**. This firepit should be inspected before use and at least annually by a professional service person. More frequent cleaning may be required due to insects, pollen build up, dust, etc. It is imperative that the control compartments, burners, and circulating air passageways of the firepit be kept clean.
- During manufacturing, fabricating and shipping, various components of this firepit are treated with certain oils, films or bonding agents. These agents are not harmful, but may produce annoying smoke and smells as they are burned off during initial operation of the firepit. This is a normal temporary occurrence.
- Follow all local codes regarding installation, combustion and ventilation air or in the absence of local codes follow the National Fuel Gas Code ANSI Z223.1 (US installation), or CAN/CGA-B149, installation Code (Canada installation).
- Inspect the burner at least once a year.
- Keep burner and control compartment clean.
- **DO NOT** use this firepit if any part has been under water. Immediately call a qualified service technician to inspect the firepit and to replace any part of the control system and any gas control which has been under water.
- Any guard or other protective device removed for servicing the appliance must be replaced prior to operating the appliance.

SAFETY INFORMATION FOR USERS OF PROPANE GAS

Propane is a flammable gas which can cause fires and explosions. In its natural state, propane is odorless and colorless. You may not know all the following safety precautions which can protect both you and your family from an accident. Read them carefully now, then review them point by point with the members of your household. Someday when there may not be a minute to lose, everyone's safety will depend on knowing exactly what to do. If, after reading the following information, you feel you still need more information, please contact your gas supplier.

PROPANE GAS WARNING ODOR

If a gas leak happens, you should be able to smell the gas because of the odorant put in the Propane Gas. That's your signal to go into immediate action!

- Do not operate electric switches, light matches, use your phone. Do not do anything that could ignite the gas.
- Get everyone out of the building, vehicle, trailer, or area. Do that IMMEDIATELY.
- Close all gas tank or cylinder supply valves.
- Propane Gas is heavier than air and may settle in low areas such as basements. When you have reason to suspect a gas leak, keep out of basements and other low areas. Stay out until firefighters declare them to be safe.
- Use your neighbor's phone and call a trained Propane Gas service person and the fire department. Even though you may not continue to smell gas, do not turn on the gas again. Do not re-enter the building, vehicle, trailer, or area.
- **Finally**, let the service man and firefighters check for escaped gas. Have them air out the area before you return. Properly trained Propane Gas service people should repair the leak, then check and relight the gas fireplace for you.

NO ODOR DETECTED - ODOR FADE

Some people cannot smell well. Some people cannot smell the odor of the chemical put into the gas. You must find out if you can smell the odorant in propane. Smoking can decrease your ability to smell. Being around an odor for a time can affect your sensitivity or ability to detect that odor. Sometimes other odors in the area mask the gas odor. People may not smell the gas odor or their minds are on something else. Thinking about smelling a gas odor can make it easier to smell.

The odorant in Propane Gas is colorless, and it can fade under some circumstances. For example, if there is an underground leak, the movement of the gas through soil can filter the odorant. Odorants in Propane Gas also are subject to oxidation. This fading can occur if there is rust inside the storage tank or in iron gas pipes.

The odorant in escaped gas can adsorb or absorb onto or into walls, masonry and other materials and fabrics in a room. That will take some of the odorant out of the gas, reducing its odor intensity.

Propane Gas may stratify in a closed area, and the odor intensity could vary at different levels. Since it is heavier than air, there may be more odor at lower levels. Always be sensitive to the slightest gas odor. If you detect any odor, treat it as a serious leak. Immediately go into action as instructed earlier.

SOME POINTS TO REMEMBER

- Learn to recognize the odor of Propane Gas. Your local Propane Gas Dealer can give you a "Scratch and Sniff" pamphlet. Use it to find out what the propane odor smells like. If you suspect that your Propane Gas has a weak or abnormal odor, call your Propane Gas Dealer.
- If you are not qualified, do not light pilot lights, perform service, or make adjustments to fireplaces on the Propane Gas system. If you are qualified, consciously think about the odor of Propane Gas prior to and while lighting pilot lights or performing service or making adjustments.
- Odor fade, due to oxidation by rust or adsorption on walls of new cylinders and tanks, is possible. Therefore, people should be particularly alert and careful when new tanks or cylinders are placed in service. Odor fade can occur in new tanks, or reinstalled old tanks, if they are filled and allowed to set too long before refilling. Cylinders and tanks which have been out of service for a time may develop internal rust which will cause odor fade. If such conditions are suspected to exist, a periodic sniff test of the gas is advisable. **If you have any question about the gas odor, call your Propane Gas Dealer. A periodic sniff test of the Propane Gas is a good safety measure under any condition.**
- If, at any time, you do not smell the Propane Gas odorant and you think you should, assume you have a leak. Then take the same immediate action recommended above for the occasion when you do detect the odorized Propane Gas.
- If you experience a complete "gas out," (the container is under no vapor pressure), turn the tank valve off immediately. If the container valve is left on, the container may draw in some air through openings such as pilot light orifices. If this occurs, some new internal rusting could occur. If the valve is left open, then treat the container as a new tank. Always be sure your container is under vapor pressure by turning it off at the container before it goes completely empty or having it refilled before it is completely empty.

PRODUCT SPECIFICATIONS

	Natural Gas	Propane Gas
Manifold Pressure Setting	4-1/2" w.c.	11" w.c.
Gas Inlet Pressure Max	7" w.c.	11" w.c.

Model Number	BTUH Max. Rate	BTUH Min. Rate	Gas Type	Valve Type	Orifice Size	Air Shutter Setting
OL48TP10N	55,000	39,500	Natural	MANUAL	24	1/16 in. Open
OL48TP10P	55,000	35,500	Propane	MANUAL	43	3/8 in. Open
OL48TP18N	55,000	39,500	Natural	MANUAL	24	1/16 in. Open
OL48TP18P	55,000	35,500	Propane	MANUAL	43	3/8 in. Open
OL60TP10N	65,000	46,500	Natural	MANUAL	12	1/16 in. Open
OL60TP10P	65,000	38,000	Propane	MANUAL	41	Fully Open
OL60TP18N	65,000	46,500	Natural	MANUAL	12	1/16 in. Open
OL60TP18P	65,000	38,000	Propane	MANUAL	41	Fully Open

ACCESSORIES

DECORATIVE CRUSHED GLASS

Required Decorative Crushed Glass Media Kits (5 Sq. Ft. Minimum, 7 Sq. Ft. Maximum) Required for OL48 Burner and LED Lighting, and (6 Sq. Ft. Minimum, 8 Sq. Ft. Maximum) for OL60 Burner and LED Lighting

Model	Description
DG1CLF*	Clear Frost

DECORATIVE CRUSHED GLASS (FOR ACCENT ONLY)

Model	Description	Model	Description
DG1BKP*	Black Polished	DG1BCR	Copper
DG1BUC*	Blue	DG1BZR	Bronze

*Clear Frost Decorative Crushed Glass is recommended, if firepit is equipped with LED lighting. Decorative Glass Droplets cannot be substituted for crushed glass. One bag of crushed glass covers 1 sq. ft. Glass colors may be mixed. The maximum amount of Crushed Decorative Glass allowed is 8 bags on OL60, and 7 bags on OL48. Transparent and Translucent crushed glass will allow LEDs to maximize brightness of LED lighting.

DECORATIVE GLASS DROPS & DROPLETS (MAY BE USED IN ADDITION TO CRUSHED GLASS AS AN ENHANCEMENT)

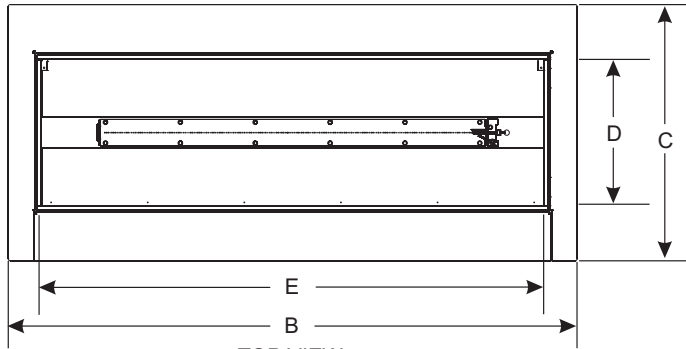
Model	Description	Model	Description
DG1NXS	1-in. Decorative Glass Drops - Onyx Solid	DG1AB	1/2-in. Decorative Glass Droplets - Aqua Blue
DG1RYC	1-in. Decorative Glass Drops - Ruby Clear	DG1GC	1/2-in. Decorative Glass Droplets - Glacier Ice
DG1TZC	1-in. Decorative Glass Drops - Topaz Clear	DG1SL	1/2-in. Decorative Glass Droplets - Sangria Luster

NOTE: Decorative Glass Droplets may be added on top of the crushed glass as an enhancement. Decorative Glass Droplets must not be placed in the burner flame. See Crushed Glass Installation, Page 22. Do not add more than one bag of Decorative glass droplets.

ACCESSORIES

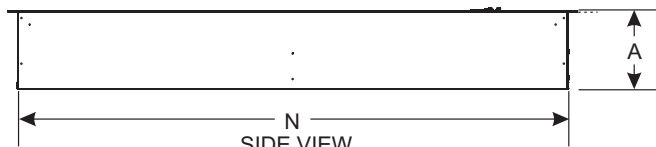
Model		Description
OL48TP	OL60TP	
DT48LSS	DT48LSS	Stainless Steel Drain Tray - (Fits 48 and 60-inch firepits)
WC48LSS	WC60LSS	Stainless Steel Weather Cover
WG484LT	WG604LT	Deflector Glass Kit (For windy applications)
37992	37993	Natural to Propane Conversion Kit
37991	37994	Propane to Natural Conversion Kit
BBA	BBA	Tilt-Out Propane Tank Door Kit
BRB	BRB	Vent Register Kit (Includes 2 vents)

FIREPIT DIMENSIONS



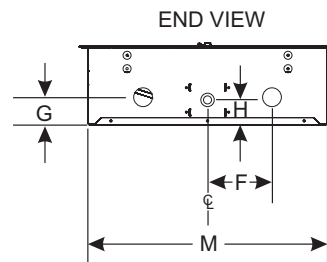
TOP VIEW

Figure 1



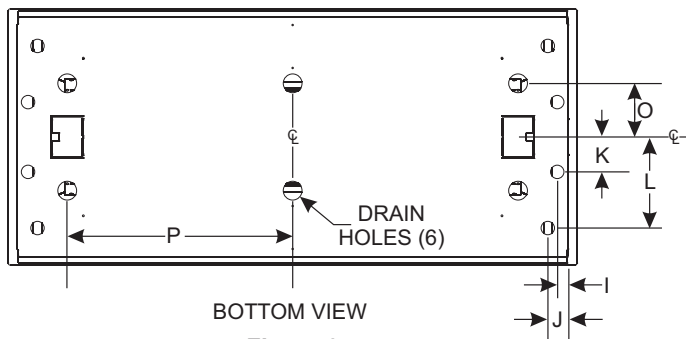
SIDE VIEW

Figure 2



END VIEW

Figure 4



BOTTOM VIEW

Figure 3

Index Letter	Dimension Description	OL48TP	OL60TP
		Dimensions In Inches	
A	The Maximum Height of The Firepit	7 3/8	7 3/8
B	The Maximum Width of The Firepit	53	65
C	The Maximum Depth of The Firepit	23 7/8	23 7/8
D	The Maximum Depth of The Crushed Glass Bed	13 11/16	13 11/16
E	The Maximum Width of The Crushed Glass Bed	46 7/8	58 7/8
F	End Gas Line Openings From Centerline of Firepit	6	6
G	End Gas Line Openings From Bottom of Firepit	2 9/16	2 9/16
H	End Electrical Opening Height From Bottom of Firepit	2 5/16	2 5/16
I	Bottom Electrical Openings From End of Firepit	1 1/16	1 1/16
J	Bottom Gas Line Openings From End of Firepit	1 15/16	1 15/16
K	Bottom Electrical Openings From Centerline of Firepit	3 1/4	3 1/4
L	Bottom Gas Line Openings From Centerline of Firepit	5	5
M	Bottom Cabinet Depth	22 7/16	22 7/16
N	Bottom Cabinet Width	51 3/4	63 3/4
O	Bottom Drain Hole Locations From Centerline	5	5
P	Bottom Drain Hole Locations From Centerline	21	21

INTRODUCTION

Instructions to Installer

1. Installer must leave instruction manual with owner after installation.
2. Installer must have owner fill out and mail registration card supplied with this firepit or register online at www.empirecomfort.com.
3. Installer should show owner how to start and operate outdoor firepit.

Always consult your local Building Department regarding regulations, codes or ordinances which apply to the installation of an outdoor gas firepit.

WARNING

To avoid injury or damage to the firepit or surrounding area, do not burn wood or other solid fuels in this firepit.

WARNING

Any change to this firepit or its controls can be dangerous. Improper installation or use of the firepit can cause serious injury or death from fire, burns, explosion or carbon monoxide poisoning.

This series is design certified in accordance with **ANSI Z21.97/CSA 2.41 for Outdoor Gas Fireplaces** and should be installed according to these instructions.

Any alteration of the original design, installing it other than as shown in these instructions or using a type of gas not shown on the rating plate, is the responsibility of the person and company making the change.

Manual Valve Safety System

When the burner ignites, a thermocouple senses a signal (electrical current) that energizes a magnet in the gas valve. After 30 to 60 seconds, the control knob can be released. If the thermocouple does not sense the flame, the gas will shut off.

Important

All correspondence should refer to complete Model Number, Serial Number and type of gas.

Moisture Resistance

When purchasing a firepit we recommend you also buy a weather cover to protect the unit from excessive moisture. Never install a burner where moisture cannot drain off easily.

NOTICE: This firepit is design certified as an outdoor gas fireplace, therefore some references may state "fireplace" as required by the **ANSI Z 21.97/CSA 2.41** standard for outdoor gas fireplaces.

Qualified Installing Agency

Installation and replacement of gas piping, gas utilization equipment or accessories and repair and servicing of equipment shall be performed only by a qualified agency. The term "qualified agency" means any individual, firm, corporation or company which either in person or through a representative is engaged in and is responsible for (a) the installation or replacement of gas piping or (b) the connection, installation, repair or servicing of equipment, who is experienced in such work, familiar with all precautions required and has complied with all the requirements of the authority having jurisdiction.

Local Codes

- When the firepit is connected to a fixed piping system, the installation must conform with local codes, or in the absence of local codes with the *National Fuel Gas Code, ANSI Z223.1/ NFPA 54, or International Fuel Gas Code*.
- When installed, the firepit must be electrically grounded in accordance with local codes, or in the absence of local codes with the *National Electrical Code, ANSI/NFPA 70*, if applicable.

Commonwealth of Massachusetts: The installation must be made by a licensed plumber or gas fitter in the Commonwealth of Massachusetts.

The installation must conform with local codes or, in the absence of local codes, with the National Fuel Gas Code, ANSI Z223.1.*

*Available from the American National Standards Institute, Inc. 1430 Broadway, New York, N.Y. 10018.

High Altitudes

For altitudes/elevations above 2,000 feet (610m), ratings should be reduced at the rate of 4 percent for each 1,000 feet (305m) above sea level. Contact the manufacturer or your gas company before changing spud/orifice size.

Conversion Kits

Conversion kits are available. See page 6. Installation of a conversion kit should be done prior to applying media materials to the burner and screen areas.

PLANNING INSTALLATION

What to Consider Before Installing

1. Verify firepit gas type and gas supply type are the same.
2. Look for a location where combustibles will not interfere.
3. 120V GFI power outlet will be needed for LED lights
4. Choose a location for gas shutoff valve. Installation requires that an accessible external gas shutoff be installed. (Not provided)
5. Verify ventilation meets at least minimum requirements
6. Drainage under firepit.
7. Drain pan and weather cover accessories. (optional)
8. Glass wind kit accessories (optional)

When planning the installation for the firepit, determine where the unit is to be installed and whether optional accessories are desired. Gas supply piping should also be planned at this time.

The firepit can be mounted on any of these surfaces:

1. A raised frame of combustible material.
2. Brick, block, or stone base installation

Contact must be made on all four perimeter flanges with a depth of least 7-1/2 inches to retain the firepit. Internal opening dimensions are shown in **Figure 5**. Enclosures should include provision for water drainage.

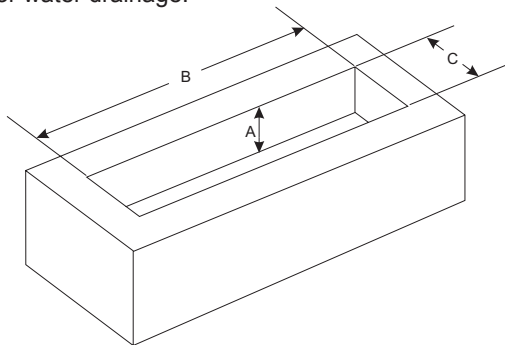


Figure 5

	OL48TP		OL60TP	
	Internal Enclosure Dimensions (inches)			
Height A	*7-1/2 Min.		*7-1/2 Min.	
Width B	51-3/4 Min.	52-1/2 Max.	63-3/4 Min.	64-1/2 Max.
Depth C	22-5/8 Min.	23-1/2 Max.	22-5/8 Min.	23-1/2 Max.

*If installing a drain tray accessory, add at least 6" inches more to the height of the enclosure to allow enough space for the drain pan, connector, and tubing clearance.

At this point, you should have decided what components to include in your installation, and where the firepit is to be located. If this has not been done, stop and consult your dealer for assistance with this planning.

WARNING

This firepit is intended for installation on an outdoor patio or yard. This firepit shall be used only outdoors in a well ventilated space and shall NOT be used in a building, garage, or other enclosed area. This firepit cannot be installed with an opening to the inside of a residence.

NOTICE: This firepit is NOT equipped with an Oxygen Depletion Sensor (ODS) pilot.

Installation of the firepit may be in an "open" area, however it is recommended that this firepit be installed in an area sheltered from direct winds.

Direct wind will cause an erratic flame and possible burner outage. This erratic flame could also lead to excessive black soot. These are nuisance issues rather than safety issues.

Typical installation may include covered patio, open porch, gazebo or an outside wall of a house.

- Minimum porch area – 96 square feet
- Minimum ceiling height – 48 inches

LED Lights will require a 120V GFI power outlet on the valve end of the firepit. The GFI plug will be located outside of the firepit. A junction box is provided inside the firepit to provide a location to plug in the LEDs.

Outdoor Firepit Location Requirements

Do not install firepit until all necessary provisions are made for combustion and ventilation air. Consult the written instructions provided with the firepit for information concerning combustion and ventilation air. In the absence of instructions, refer to the National Fuel Gas Code, ANSI Z223.1/NFPA 54, Air for Combustion and Ventilation, or applicable local codes.

Installation in partial enclosures must conform with one of the following conditions:

- With walls on back and one side, but with no overhead cover. See Figures 6.

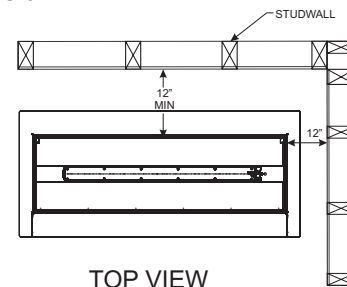


Figure 6

- Within a partial enclosure which includes an overhead cover and no more than two side walls. These side walls may be parallel, as in a breezeway. See Figures 7 and 8.

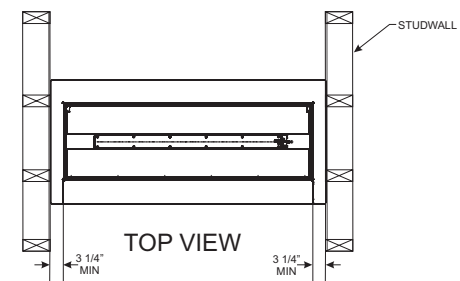


Figure 7

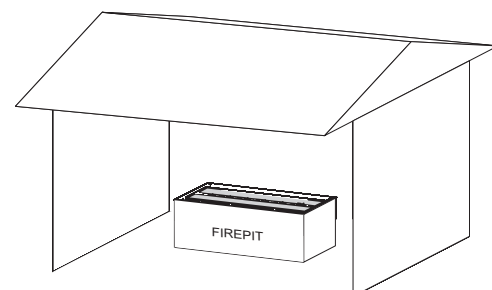
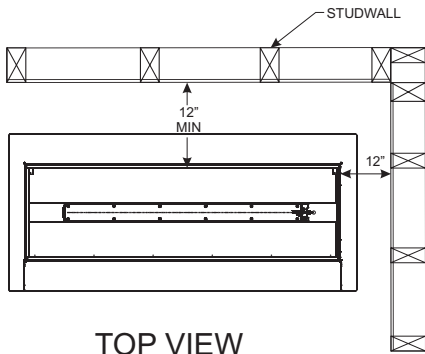


Figure 8

PLANNING INSTALLATION (CONT'D)

Installation is permissible within a partial enclosure that includes an overhead cover and three side walls, as long as 30 percent or more of the horizontal periphery (perimeter of walls and open side) of the enclosure is permanently open. See Figures 9,10 and 11.



TOP VIEW

Figure 9

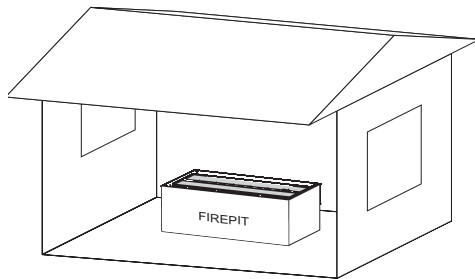
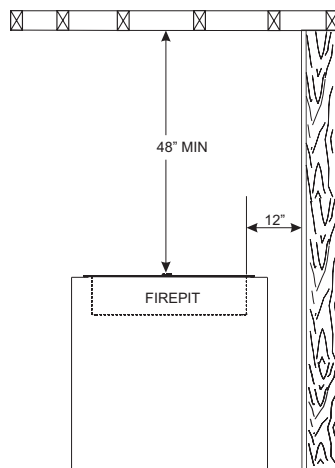


Figure 10

If installing in a screened in porch, the open space must be adjusted (increased) from 30 percent (adjusted open space = 30% / % open area of the screen mesh). "Example, if you used a screen with a 66% open area, the minimum open space of your building must be 46% of the periphery. If you have a covered screened-in porch that has two side walls that are 16', one wall that was against the house that's 20' and one open side that's 20', you would have a perimeter of 72'. You would need to have 33' of the perimeter open (72' x 46% = 33')."

(Contact your screen manufacturer or screen dealer to determine your screens open area).



SIDE VIEW

Figure 11

CAUTION

Vinyl Soffit, Vinyl Ceiling, Vinyl Overhang Disclaimer Clearances are to heat resistant material (i.e. wood, metal). This does not include vinyl. Empire Comfort Systems Inc. will not be held responsible for heat damage caused from terminating under vinyl overhangs, vinyl ceilings or vinyl ventilated/unventilated soffits.

WARNING

Improper installation, adjustment, alteration, service or maintenance can cause property damage, personal injury or loss of life. Installation and service must be performed by a qualified installer, service agency or the gas supplier.

GAS LINE CONNECTION

The firepit is designed to accept a 3/8-in. gas line on OL48TP units, and a 1/2-in. gas line on OL60TP units. Have the line installed by a qualified service person in accordance with all building codes. Consult local building codes to properly size the gas supply line leading to the gas hook-up at the unit. The Commonwealth of Massachusetts requires that a flexible fireplace connector cannot exceed three feet in length. See Figure 12.

A flex-line connection to the valves is provided. **The gas shut-off valve (not supplied) must be located outside of the unit in an accessible area.**

Check gas type on the rating label located on the underside of the control door. If the gas listed on the rating label does not match your gas supply, DO NOT INSTALL. Contact your dealer for proper model or conversion kit.

Always use an external regulator for all Propane fireplaces to reduce the supply tank pressure to a maximum of 11 in. w.c.

WARNING

Connection directly to an unregulated L.P. tank can cause an explosion.

WARNING

Risk of fire, explosion or asphyxiation. Ensure no ignition, flame or spark are near during installation. This includes cigarettes or cell phones.

Leak test all connections with a soap and water solution. Bubble formation will indicate a leak while under pressure. Use caution to avoid burns.

PLANNING INSTALLATION (CONT'D)

COMBUSTIBLE MATERIALS

No greeting cards, stockings or ornamentation of any type should be placed over the firepit. This is an open flame appliance. The flow of heat and flames can ignite combustibles.

No vinyl siding materials can be installed within 24 inches of the crushed glass area on the firepit.

CLEARANCES

Minimum Ceiling Clearances

Ceiling Clearances: The ceiling height should not be less than 48 inches from the top surface of the firepit.

Rear Wall Clearances

The clearance from the edge of the glass bed in the firepit to any combustible rear wall should not be less than 12 inches.

Side Wall Clearances

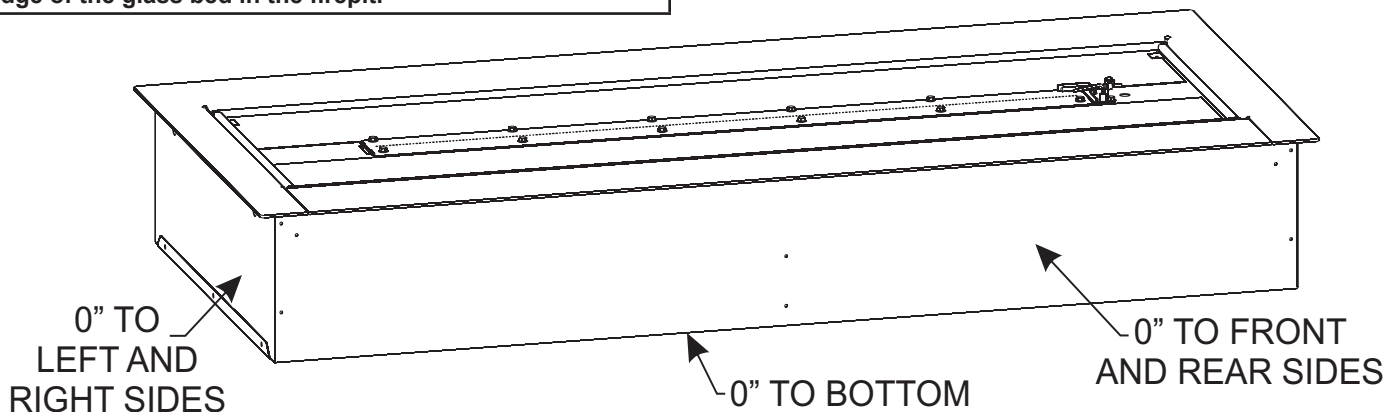
The clearance from the edge of the glass bed in the firepit to any combustible wall should not be less than 3-1/4 inches.

NOTICE: For installations with a rear wall and side wall, refer to **Figures 6 and 9.**

NOTICE: See pages 9 and 10 for additional wall and ceiling clearances to combustibles.

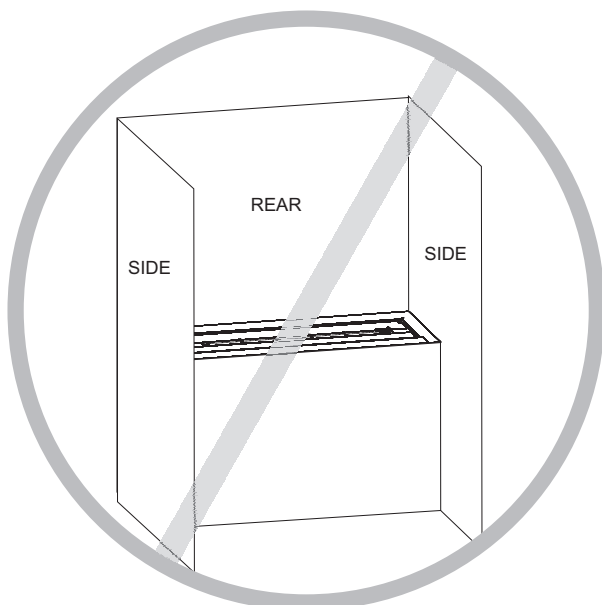
⚠ CAUTION

Vinyl siding must not be installed within 24 inches of the edge of the glass bed in the firepit.



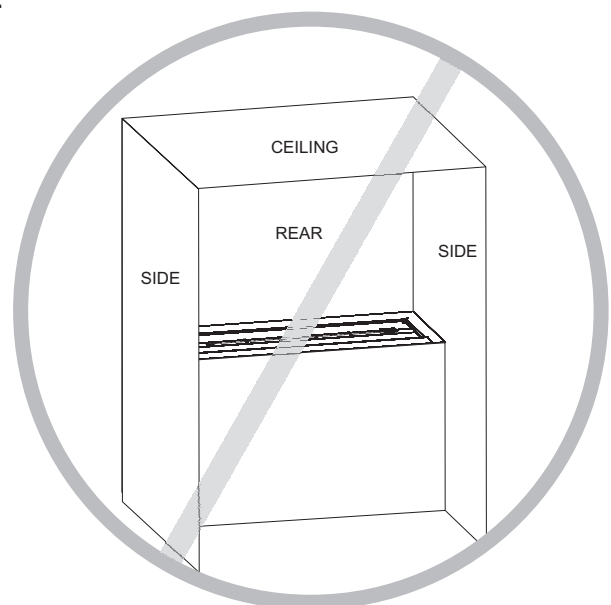
COMBUSTIBLE CLEARANCE REQUIREMENTS

Figure 12



3-wall alcove not allowed.

Figure 13



3-wall alcove with ceiling not allowed.

Figure 14

PLANNING INSTALLATION (CONT'D)

MODEL	GAS FLEX LINE CONNECTION
OL48TP	Use 3/8 inch male flare connection
OL60TP	Use 1/2 inch male flare connection

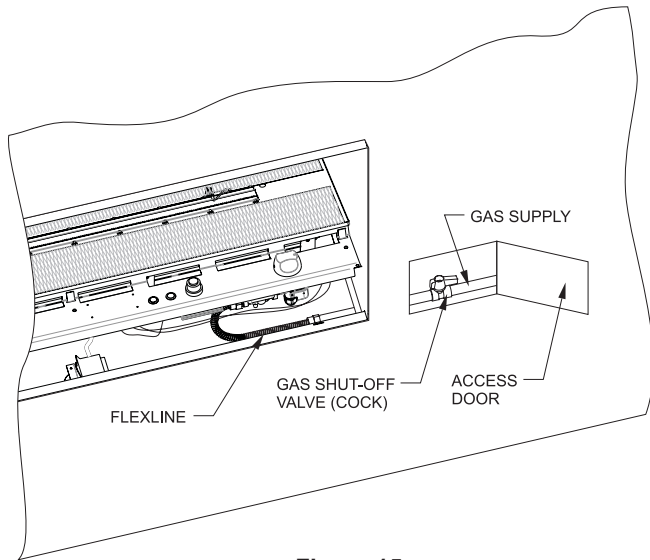


Figure 15

WATER DRAINAGE REQUIREMENT

Provisions must be made to drain water away from the unit. An optional drain pan can be purchased from your Empire Dealer to fit under the firepit. If installing the optional drain pan, it must be installed prior to installing the firepit. For more information, refer to the installation instructions supplied with the drain pan. If this drain is not used, other water drainage is required to flow away from the installed firepit custom base construction. **See Figure 3** for drain hole locations.

ELECTRICAL CONSIDERATIONS (LED Lighted Units Only)

A factory installed junction box is located on the lower right side of the firepit. The junction box and wiring may be relocated to the opposite side of the firepit if desired. Wiring to the junction box must be metal clad or enclosed in a conduit and must be approved for outdoor use. Connect the wiring to an external GFI protected outlet installed near the firepit. Refer to electrical supply section for additional information on pages 13 and 24.

FIREPIT INSTALLATION

ELECTRICAL SUPPLY

FOR FIREPITS WITH LED LIGHTS ONLY

⚠ CAUTION

All wiring should be done by a qualified electrician and shall be in compliance with all local, city and state building codes. Before making the electrical connection, make sure that the main power supply is disconnected. The firepit, when installed, must be electrically grounded in accordance with local codes, or in the absence of local codes, with the National Electrical Code ANSI/NFPA 70 (Latest Edition).

Wiring to the junction box must be metal clad or enclosed in a conduit and must be approved for outdoor use. A connector for the junction box to accommodate 1/2-in. conduit is supplied in the instruction envelope. The firepit receptacle must be connected to an external GFI protected outlet installed near the firepit. **See Figure 16.**

Route the wiring from the external GFI outlet through the conduit to the junction box. Leave approximately 6-in. of wire in the junction box for connection.

Retrieve the receptacle and cover from the instruction envelope. Attach the black wire to the gold screw and white wire to the silver screw of the receptacle. The ground wire should be attached to the green ground screw on the junction box and the receptacle. **See Figure 17.**

Place receptacle in position and attach cover plate. Make sure the cover plate doors open upward. Be sure to test the receptacle to ensure the GFI circuit functions properly. Plug transformer power cord into receptacle, and close the unused receptacle door. **See Figure 17.**

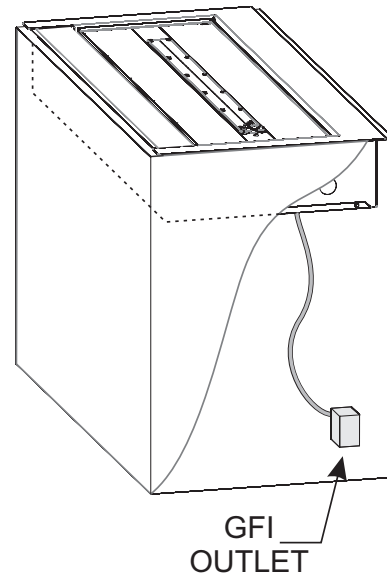


Figure 16

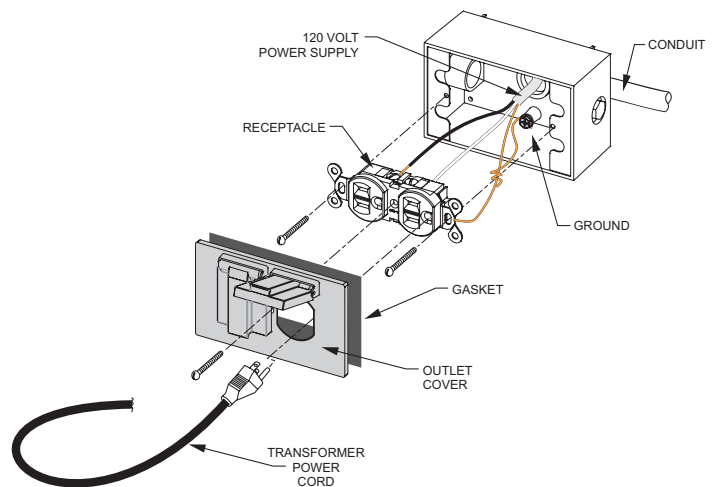


Figure 17

FIREPIT INSTALLATION (CONT'D)

GAS SUPPLY

- Solid fuels shall not be burned in this firepit.
- The maximum gas inlet supply pressure is 11 in. for Propane and 7 in. for Natural.
- For firepits with a fixed fuel piping system and equipped with a gas pressure regulator, the required manifold pressure in inches water column: 11 in. for Propane and 4.5 in. Natural.
- For firepits with a fixed fuel piping system and equipped with a firepit gas pressure regulator, the firepit and its individual shutoff valve must be disconnected from the gas supply piping system during any pressure testing of that system at test pressures in excess of 1/2 psi (3.5 kPa).
The firepit must be isolated from the gas supply piping system by closing its individual manual shutoff valve during any pressure testing of the gas supply piping system at test pressures equal to or less than 1/2 psi (3.5 kPa).

Check all local codes for requirements, especially for the size and type of gas supply line required.

RECOMMENDED MINIMUM GAS PIPE DIAMETER				
Pipe Length	Schedule 40 Pipe Inside Diameter		Tubing, Type L Outside Diameter	
	Natural	Propane	Natural	Propane
0-10 feet 0-3 meters	1/2 in. 12.7mm	3/8 in. 9.5mm	1/2 in. 12.7mm	3/8 in. 9.5mm
10-40 feet 4-12 meters	1/2 in. 12.7mm	1/2 in. 12.7mm	5/8 in. 15.9mm	1/2 in. 12.7mm
40-100 feet 13-30 meters	1/2 in. 12.7mm	1/2 in. 12.7mm	3/4 in. 19mm	1/2 in. 12.7mm
100-150 feet 31-46 meters	3/4 in. 19mm	1/2 in. 12.7mm	7/8 in. 22.2mm	3/4 in. 19mm

NOTICE: Check to confirm whether your local codes allow plastic or copper tubing for outdoor use.

NOTICE: Because some municipalities have additional local codes, consult your local authority and installation code.

Installing a Manual Gas Shut-Off Valve

Each firepit must have an accessible manual gas shut-off valve located in the vicinity of the unit. Where none exists, or where its size or location is not adequate, contact your local authorized installer for installation or relocation.

Compounds used on threaded joints of gas piping shall be resistant to the action of liquefied petroleum gases. The gas lines must be checked for leaks by the installer. This should be done with a soap solution watching for bubbles on all exposed connections, and if unexposed, a pressure test should be made. To avoid damage to the gas piping, remove all testing solution when testing is complete.

⚠ WARNING

Never use an exposed flame to check for leaks. The firepit must be disconnected from piping at inlet of control valve and pipe capped or plugged for pressure test. Never pressure test with firepit connected; control valve will sustain damage!

A gas valve and ground joint union should be installed in the gas line upstream of the gas control to aid in servicing. It is required by the National Fuel Gas Code that a drip line be installed near the gas inlet. This should consist of a vertical length of pipe connected into the gas line by a tee fitting with a cap on the bottom in which condensation and foreign particles may collect.

The use of the following gas connectors is recommended:

- ANSI Z21.24 Appliance Connectors of Corrugated Metal Tubing and Fittings
- ANSI Z21.45 Assembled Flexible Appliance Connectors of Other Than All-Metal Construction

The above connectors may be used if acceptable by the authority having jurisdiction. The Commonwealth of Massachusetts requires that a flexible appliance connector cannot exceed three feet in length.

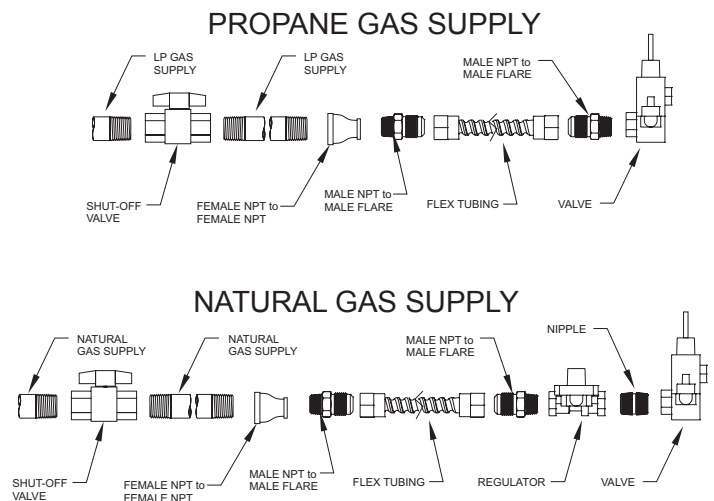


Figure 18

NOTICE: Gas shut-off valve shown. Other valves approved to use with gas allowed.

Flex tubing to valve is pre-installed at the factory. Flare connector is loosely installed for shipping purposes only. An accessible manual gas shut-off valve must be installed external to the firepit.

FIREPIT INSTALLATION (CONT'D)

PROPANE GAS CYLINDER INFORMATION

⚠ WARNING

If these instructions are not precisely followed, a fire may occur causing death or serious injury.

Propane Cylinder Specifications

This firepit fireplace can be used with a non-disposable self-contained Propane Gas supply system:

- Propane cylinders may be acceptable for use with the fireplace provided they are compatible with the firepit retention means.
- Propane Gas supply cylinder must be constructed and marked in accordance with the *U.S. Department of Transportation (D.O.T.) Specifications for Propane Gas Cylinders*, or the *Standard for Cylinders, Spheres and Tubes for Transportation of Dangerous Goods and Commission, CAN/CSA-B339* as applicable.
- Propane Gas supply cylinders between 4 and 40 pounds must have an overfill prevention device.
- Propane Gas supply cylinder must have a connection device compatible with the connection of the firepit.
- If the firepit is equipped with a CGA No. 600 Cylinder Connection Device, the cylinder must be disconnected when the firepit is not in use.
- If the firepit is to be permanently connected to a gas piping system from a remote supply tank, installation must be in accordance with local codes or, in the absence of local codes, with the *National Fuel Gas Codes ANSI Z223.1/NFPA 54*.
- A dented or rusty cylinder may be hazardous and should be checked by your propane supplier. Never use a cylinder with a damaged valve.
- The OL48TP(10,18)P firepit may be connected to a 20 lb. (9.1 kg) size propane cylinder only. (Not supplied)
- The OL60TP(10,18)P firepit may be used with a 20 lb. (9.1 kg) or 30 lb. (13.6 kg) size propane cylinder only (not supplied).
- The propane cylinder must be provided with a shut-off valve terminating in a propane cylinder valve type QCC1, and a safety relief device having direct communication with the vapor space of the cylinder.
- The cylinder supply system must be arranged for vapor withdrawal and the cylinder shall include a collar to protect the cylinder valve.
- The Propane Gas cylinder must be provided with a listed overfill protection device (OPD). Never fill the cylinder beyond 80 percent full.
- Do not store a spare Propane Gas cylinder under or near this firepit.
- Use only a pressure regulator and hose assembly that supplies a pressure of 11 in. water column to the firepit and has a QCC1 type fitting.
- Cylinders to be used with this unit must be supplied with a QCC1 cylinder valve. A QCC1 cylinder has a positive seating connection, which will not allow gas flow until a positive seal has been achieved. It is also equipped with an excess flow device. In order to attain full flow to the firepit, the valve must be in the off position when the cylinder valve is turned on.

⚠ WARNING

A fire will result if the gas supply hose makes contact with the underside of the fireplace.

Propane Gas

Attach a cylinder retaining bracket (not supplied) to the base of the cylinder. Then secure to the surface to which it sits. Cylinder should be on a level surface.

Cylinder Retaining Bracket

1. Fasten the bracket to the bottom of the propane bottle using bolt and nut (not supplied).
2. Tighten the lag screw into the mounting surface leaving approximately 1/4 in. of thread above the surface.
3. Slide propane bottle into position so that the bracket slides under the head of the lag screw.
4. Tighten the lag screw onto the bracket.
5. For fastening to a concrete surface a concrete anchor will be required. (Not supplied)

Cylinder Connection: Ensure the gas regulator hose is kink free. Remove the cap or plug from the cylinder fuel valve. Insert the black QCC1 regulator nipple onto the QCC1 fuel valve. Hand tighten clockwise. Do not use tools. Leak test all joints prior to using the firepit. A leak test must be performed annually and each time a cylinder is hooked up or if a part of the gas system is replaced. If this firepit is to be connected directly to a house propane gas supply line, follow the instructions for the natural gas hook-up.

Safety Considerations

- Make sure cylinder valve is in its full off position. (Turn clockwise to stop).
- Check cylinder valve features to ensure it has proper external mating threads. (Cylinder Valve Marked: USE WITH TYPE 1)
- Inspect hose for damage. Never attempt to use damaged or plugged equipment. See your local Propane Gas Dealer for repairs.
- When connecting regulator assembly to the cylinder valve, hand tighten black QCC1 nut clockwise to a positive stop. DO NOT use a wrench to tighten. Use of a wrench may damage the quick closing coupling nut and result in a hazardous condition.
- Locate the hose out of pathways where people may trip over it or in areas where the hose may be subject to accidental damage.
- Open cylinder valve fully (counter-clockwise). Turn the shut off valve at the unit slowly to the on position and use a soapy water solution to check all connections for leaks as indicated in the diagrams before attempting to light the firepit. If a leak is found, turn tank valve off and do not use the firepit until repairs can be made.

FIREPIT INSTALLATION (CONT'D)

PROPANE GAS CYLINDER INFORMATION

Enclosures For Propane Gas Supply Systems

Enclosures for Propane Gas supply cylinders shall be ventilated by openings at the level of the cylinder valve and at floor level. The effectiveness of the opening(s) for purposes of ventilation shall be determined with the Propane Gas supply cylinder(s) in place. This shall be accomplished by one of the following.

- a. One side of the enclosure shall be completely open; or
 - b. For an enclosure having four sides, a top and a bottom:
 1. At least two ventilation openings at cylinder valve level shall be provided in the side wall, equally sized, spaced at 180 degrees (3.14 rad), and unobstructed. Each opening shall have a total free area of not less than 1/2 sq in per pound (2.3 sq. cm/kg) of stored fuel capacity and not less than a total free area of 10 sq in (64.5 sq. cm).
 2. Ventilation opening(s) shall be provided at floor level and shall have a total free area of not less than 1/2 sq in per pound (3.2 sq. cm/kg) of stored fuel capacity and not less than a total free area of 10 sq in (64.5 sq. cm). If ventilation openings at floor level are in a side wall, there shall be at least two openings. The bottom of the openings shall be at floor level and the upper edge no more than 5 in. (127 mm) above the floor. The openings shall be equally sized, spaced at 180 degrees (3.14 rad) and unobstructed.
 3. Every opening shall have minimum dimensions so as to permit the entrance of a 1/8 in. (3.2 mm) diameter rod.
 4. There shall be a minimum clearance of 2 in. (51 mm) between the lower surface of the floor of the Propane Gas supply cylinder enclosure and the ground.
- Cylinder valves shall be readily accessible for hand operation. A door on the enclosure to gain access to the cylinder valves is acceptable, provided it is non-locking and can be opened without the use of tools.
 - The design of the fireplace shall be such that (1) the Propane Gas supply cylinder(s) can be connected, disconnected and the connections inspected and tested outside the cylinder enclosure; and (2) those connections which could be disturbed when installing the cylinder(s) in the enclosure can be leak tested inside the enclosure;
 - Ventilation openings in sidewalls shall not communicate directly with other enclosures of the firepit.

The enclosure for the Propane Gas cylinder shall isolate the cylinder from the burner compartment to provide:

- a. Shielding from heat radiation;
- b. A flame barrier; and
- c. Protection from foreign material.

Be certain to mount the Propane Gas cylinder on a flat surface and restrain it using a cylinder retaining bracket to prevent it from tipping.

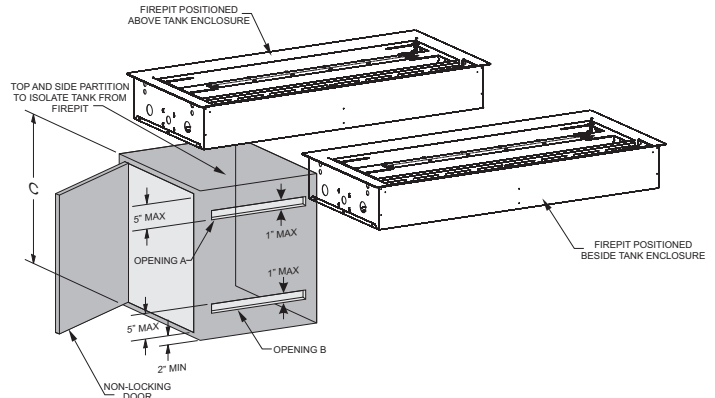


Figure 19

Cylinder Size	Opening Area A	Opening Area B	Recommended Dimension C
20lb (9.1kg)	20 sq.in. (130cm ²)	10 sq.in. (65cm ²)	34 in. (863mm)
30lb (13.6kg)	30 sq.in. (195cm ²)	15 sq.in. (100cm ²)	34 in. (863mm)

NOTICE: There shall be a minimum clearance of 2 in. (51 mm) between the lower surface of the floor of the Propane Gas supply cylinder enclosure and the ground.

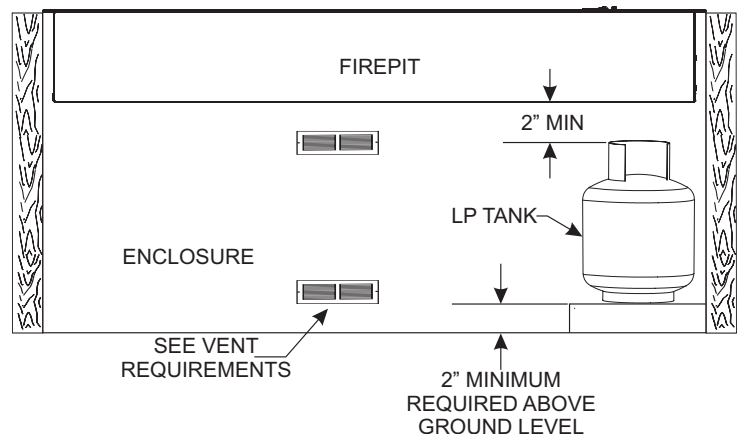


Figure 20

FIREPIT INSTALLATION (CONT'D)

FIREPIT ENCLOSURE REQUIREMENTS

UNPACKING THE FIREPIT

⚠ CAUTION

When unpacking the firepit use gloves to protect from sharp edges.

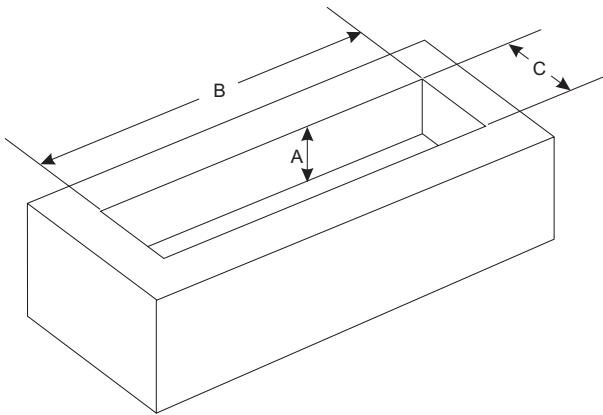
The contents include the firepit unit, instruction packet, hardware package, and two burner prop supports which are located under the firepit for shipping purposes only.

ENCLOSURE CONSTRUCTION

The firepit requires a custom built enclosure for support. Combustible or non-combustible materials can be used. Minimum internal enclosure dimensions are provided. **See Figure 21.**

Figures 22 and 23 give basic ideas for enclosure construction.

NOTICE: Measure firepit dimensions and verify framing or other support methods before enclosure construction begins.



	OL48TP		OL60TP	
	Internal Enclosure Dimensions (inches)			
Height A	*7-1/2 Min.		*7-1/2 Min.	
Width B	51-3/4 Min.	52-1/2 Max.	63-3/4 Min.	64-1/2 Max.
Depth C	22-5/8 Min.	23-1/2 Max.	22-5/8 Min.	23-1/2 Max.

***NOTICE:** Additional height will be required, if the drain pan accessory is installed.

Figure 21 - Internal Enclosure Dimensions

Before completing the enclosure and installing firepit, provide a path for water drainage out of the firepit.

Determine if the optional accessory drain pan will be used. If the drain pan will be installed, follow the instructions provided with the drain pan kit to install it at this point.

INSTALLATION

1. Choose installation location.
2. Construct enclosure. **See Figures 21, 22, and 23** for typical construction options.
3. Provide electrical service if LED's are included.
4. Provide for gas supply connections or Propane tank storage.

5. If installation includes Propane tank storage under the firepit, use the optional BRB Vent Kit or refer to the Propane tank storage requirements on pages 15 and 16. **See Figure 19.**

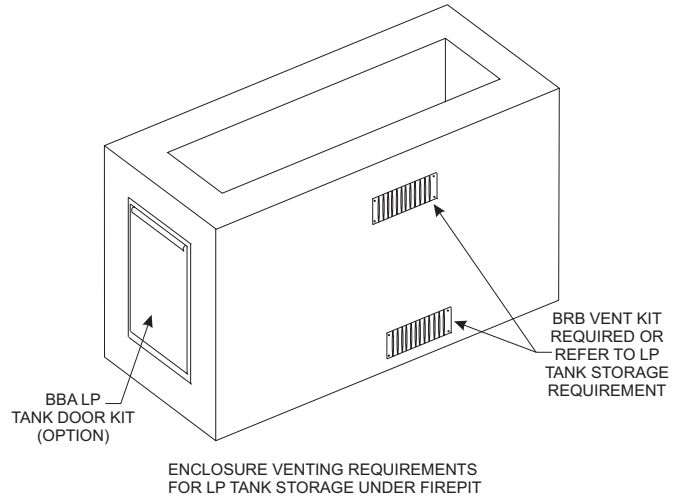


Figure 22

6. The photograph below shows a typical firepit installation for reference only. **See Figure 23.**



Figure 23

FIREPIT INSTALLATION (CONT'D)

FIREPIT ENCLOSURE REQUIREMENTS

7. To connect the gas line and install the electrical connection, the burner assembly must be tilted upward in the firepit.
 - a. Remove the control door by opening the door and lifting the door upward to disengage the slots on the ends of the door from the pivot bolts.
 - b. Remove the (4) filler strips (Index No.'s 31 and 32 illustrated on page 29), by simply lifting them up from the burner tray.
 - c. Remove the two control door pivot bolts using a 1/8-inch hex allen wrench. **See Figure 24.**

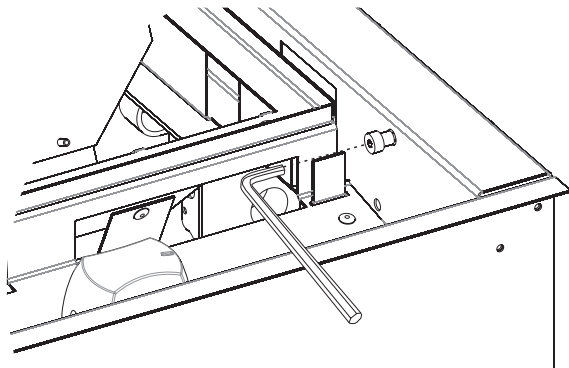
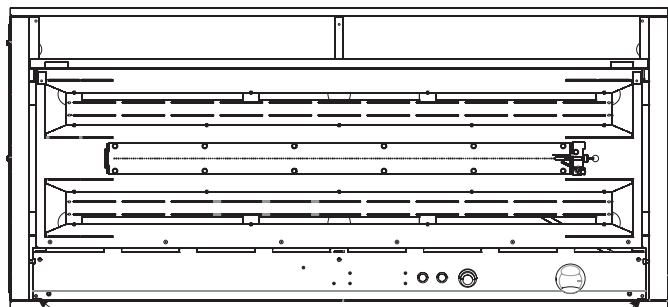


Figure 24

- d. Using gloves, remove the two expanded metal burner cover screens from the burner tray, then set aside.
 - e. Remove two screws from front corners of the control panel with a 5/16-inch hex head driver. **See Figure 25.**



REMOVE (2) HEX
HEAD SCREWS

Figure 25

- f. Lift front of burner assembly and tilt upwards and toward the back of the firepit. Retrieve the two prop tools and place one each side against the front corners of the cabinet bottom and under the front corners of the control panel. **See Figure 26.**

NOTICE: Use care when raising the burner tray assembly to avoid scratching the stainless interior of the firepit.

NOTICE: Prop tools are located under the firepit for shipping purposes only.

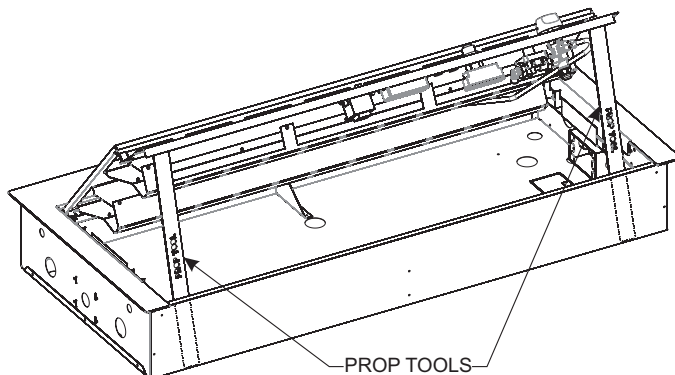


Figure 26

8. Install gas and electrical supplies to firepit. See page 14 for gas supply requirements. See page 13 for electrical supply requirements. For models with LED lights, be sure to plug the transformer power cord plug into the junction box receptacle. **See Figure 17.** For ease of installation, the gas and electrical supply are located on the valve side of the firepit. Both may be relocated to enter the opposite side of the firepit.
9. Remove plastic protective film from the firepit outer top, control door, and filler trim pieces.

FIREPIT INSTALLATION (CONT'D)

FINISHING

1. After gas and electrical hookup is completed, lower and secure the burner assembly (leave two prop tools in bottom of firepit for future use) with the two screws removed in **Figure 25**.
2. Install the (4) filler strips. Place the two short side filler strips in first, then install the long front and rear filler strips. The long filler strips will interlock at the ends with the side filler strips. See **Figure 27a**.

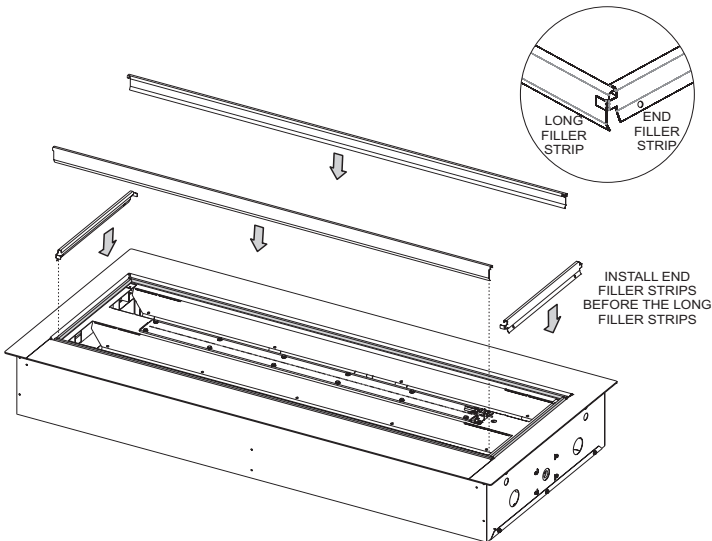


Figure 27a

3. If installing the optional glass wind panel kit, do not install the filler strips in step 2. Refer to **Figure 27b** for glass wind panel kit installation.

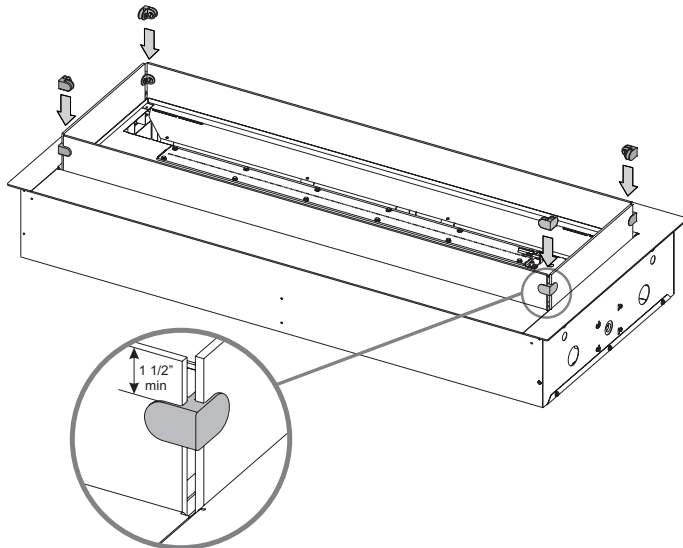


Figure 27b

4. Reinstall the pivot bolts removed in **Figure 24** and reinstall the control door.

5. Unscrew the ignitor button and install the AA battery provided in the instruction envelope prior to closing the control door. (Note Battery Polarity) See **Figure 28**.

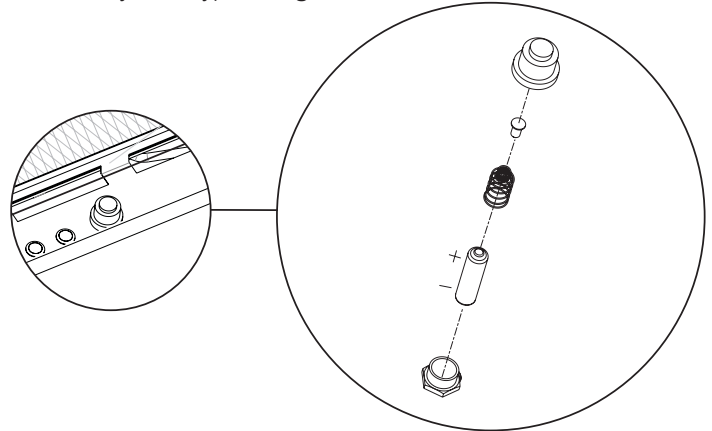


Figure 28

6. Using gloves, replace the two expanded metal screens removed in Step 7.
7. After all gas connections and electrical hook-ups (if applicable) have been made, check for proper lighting of the burner, and LED light operation (if applicable). Refer to the lighting and operation instructions on pages 21 to 23.

FIREPIT INSTALLATION (CONT'D)

FINISHING

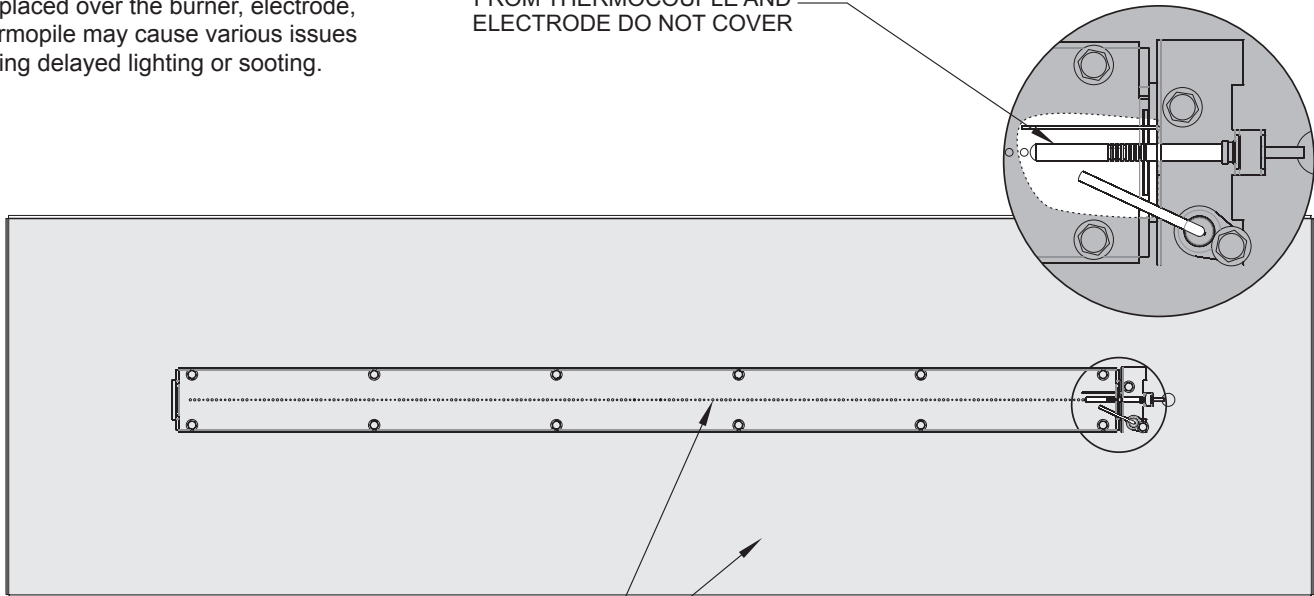
Crushed Glass Installation

Ensure the burner cover screens are still properly installed, fully covering the LED openings. Place decorative crushed glass evenly over the burner and screens (enough media to cover approximately 7 sq. ft. on OL48TP, or 8 sq. ft. on OL60TP models). (See page 6 for media requirements). Ensure coverage is even and not thicker in places.

NOTICE: Excessive amounts of crushed glass placed over the burner, electrode, or thermopile may cause various issues including delayed lighting or sooting.

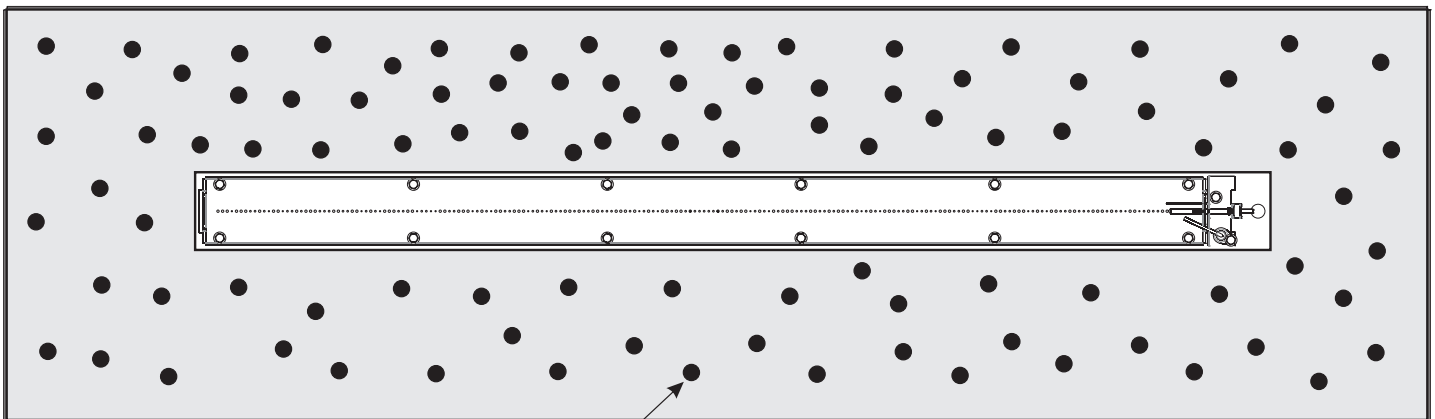
Some pieces of broken glass may be larger than others. It is fine to use these pieces, but not over the burner or flame area. **See Figure 29.** Decorative glass droplets may be added as an enhancement, but can not be used near or over the burner. **See Figure 30.** Neither glass nor droplets may be placed over the electrode. (See page 6 for media accessories and requirements).

SPREAD CRUSHED GLASS AWAY FROM THERMOCOUPLE AND ELECTRODE DO NOT COVER



COVER ENTIRE BURNER AND SCREENED AREAS WITH CRUSHED GLASS

Figure 29



IF DESIRED GLASS DROPLETS MAY BE ADDED IN AREA SHOWN - DO NOT USE DROPLETS ON BURNER

Figure 30

LIGHTING INSTRUCTIONS

FOR YOUR SAFETY READ BEFORE LIGHTING

⚠ WARNING

If you do not follow these instructions exactly, a fire or explosion may result causing property damage, personal injury, or loss of life.

- A. **BEFORE LIGHTING**, smell around the appliance area for gas. Be sure to smell next to the floor because some gas is heavier than air and will settle on the floor.
- WHAT TO DO IF YOU SMELL GAS**
- Do not try to light any appliance.
 - Do not touch any electrical switch.
 - Do not use any phone in your building.
 - Immediately call your gas supplier from a neighbor's phone. Follow the gas supplier's instructions. If you can not reach your gas supplier, call the fire department.
- B. Use only your hand to push in or turn the gas control knob. Never use tools. If the knob will not push in or turn by hand, don't try to repair it, call a qualified service technician. Force or attempted repair may result in a fire or explosion.
- C. Do not use this appliance if any part has been under water. Immediately call a qualified service technician to inspect the appliance and to replace any part of the control system and any gas control which has been under water.

LIGHTING INSTRUCTIONS

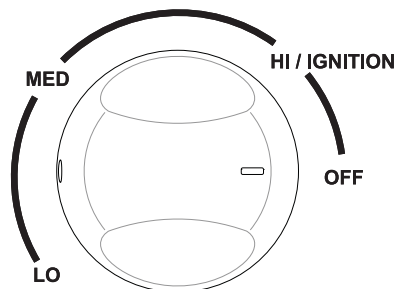
This fireplace is for outdoor use only.

Read all instructions before lighting.

Any accessory weather cover(s) must be removed before use.


Remove any debris – including leaves and insects – from the burner area and the bed of crushed glass.

1. Before turning on the main gas supply, press the ignitor button. Verify that the ignitor is sparking above the burner between the electrode and the thermocouple.
2. Turn on the main gas supply to fireplace.
3. With the gas control knob in the "OFF" position press and hold the ignitor button. Lightly press and rotate the gas control knob to the HI/IGNITION position. Press down and hold down the gas control knob.
If the burner fails to light after 5 seconds, turn gas control knob to OFF. Wait 5 minutes to dissipate gas before attempting to relight.
4. Once the burner ignites, release the ignitor button but continue to press down on the gas control knob for 30 seconds. (This allows the thermocouple (flame sensor) to heat up, confirming that the firepit is burning.)
If flame goes out, turn knob to OFF, wait 5 minutes, repeat lighting sequence starting with step 3.

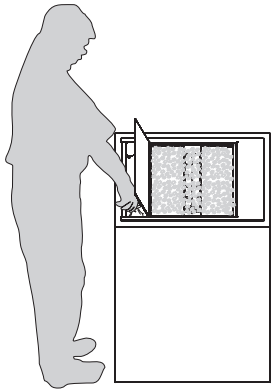


Gas Control Knob shown in "OFF" position

TO TURN OFF GAS TO APPLIANCE

1. Open control door.
2. Push in gas control knob slightly and turn clockwise  to "OFF". Do not force.
3. Turn off all electric power to appliance if service is to be performed.
4. Close control door.

MAIN BURNER FLAME CHARACTERISTICS



PROPER LIGHTING POSITION

Figure 31



NEVER LEAN OVER FIREPIT
WHEN LIGHTING BURNER

Figure 32

⚠ WARNING

NEVER operate firepit with an optional weather cover in place.

In normal operation on high after 10 to 15 minutes, the flame appearance should be several tongues of yellow flames.

NOTICE: All flames will be random by design, flame height will go up and down.

During manufacture, fabricating, and shipping, various components of this firepit are treated with oils, films, or bonding agents. These are not harmful, but may produce smoke and smells as they are burned off during the initial operation of the firepit. This is normal.

The initial break-in operation should last 2-3 hours with the burner at the highest setting. Any odors remaining after this initial break-in will disappear with continued use.

Flames from the main burner should be visually out before the weather cover is installed.

If burner flame pattern is incorrect

- See Troubleshooting, page 26.

Flame Pattern

The main burner flame will be mostly yellow.

Flame Ignition and Extinction

When the main burner is ignited it may take up to a minute for the full flame pattern to develop.

When the main burner is extinguished it may take up to a minute for the flames to disappear. It is normal to have the flames burn down near the burner, as the remaining gas is burned.

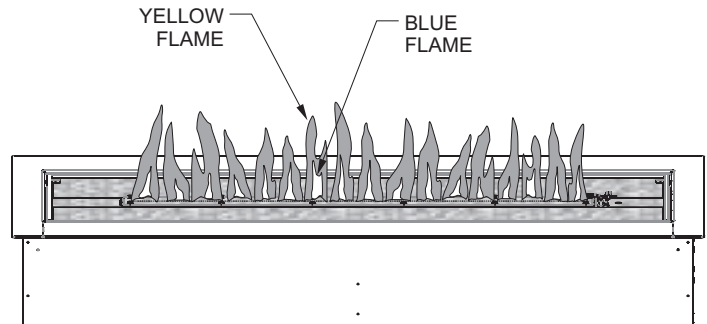


Figure 33 - Correct Flame Propane

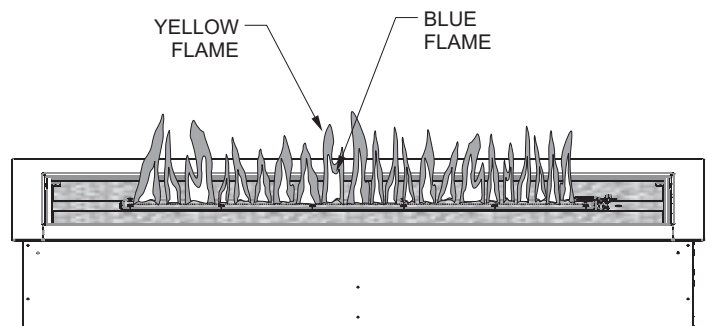


Figure 34 - Correct Flame Natural

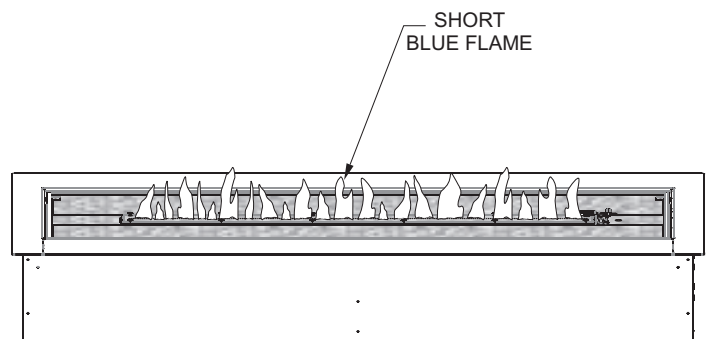


Figure 35 - Incorrect Short Blue Flame

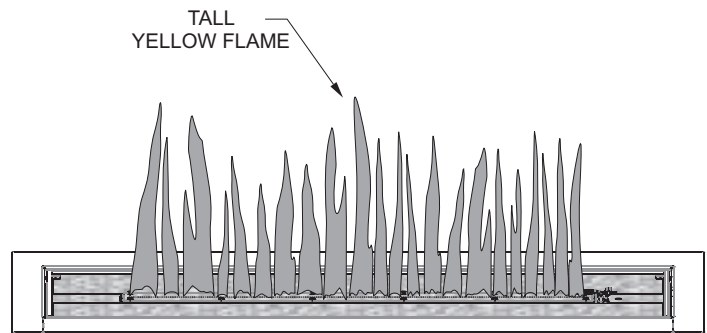


Figure 36 - Incorrect Tall Yellow Flame

OPERATION INSTRUCTIONS - LED LIGHTS

LED BRIGHTNESS BUTTON

Press the Brightness Button to activate the LED lights and to cycle LED Intensity from High to Low to Off.

- 1 – On – High
- 2 – Medium
- 3 – Low
- 4 – Off

Use the Brightness Button in conjunction with the Mode Button to create unique looks.

Lights will remember the last mode when turned on again. (After a power failure, you must reset the lights to the desired mode.)

Turn off the LED Lights when not in use.

LED MODE BUTTON

Press the Mode Button to adjust LED light system from Automatic Color Changes to Individual Colors.

- 1 – Auto-cycle – Rapid
- 2 – Auto-cycle – Gradual
- 3 – Pause Auto-cycle
- 4 – Deep Blue
- 5 – Royal Violet
- 6 – Cardinal Red
- 7 – Sea Green
- 8 – Forest Green
- 9 – Tranquil Blue
- 10 – White

If the LEDs are turned off using the Left button, the chosen color or cycle will continue when the LEDs are turned back on.

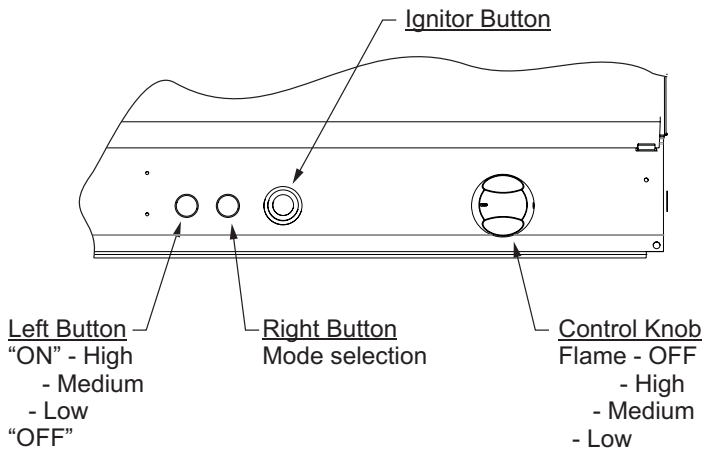
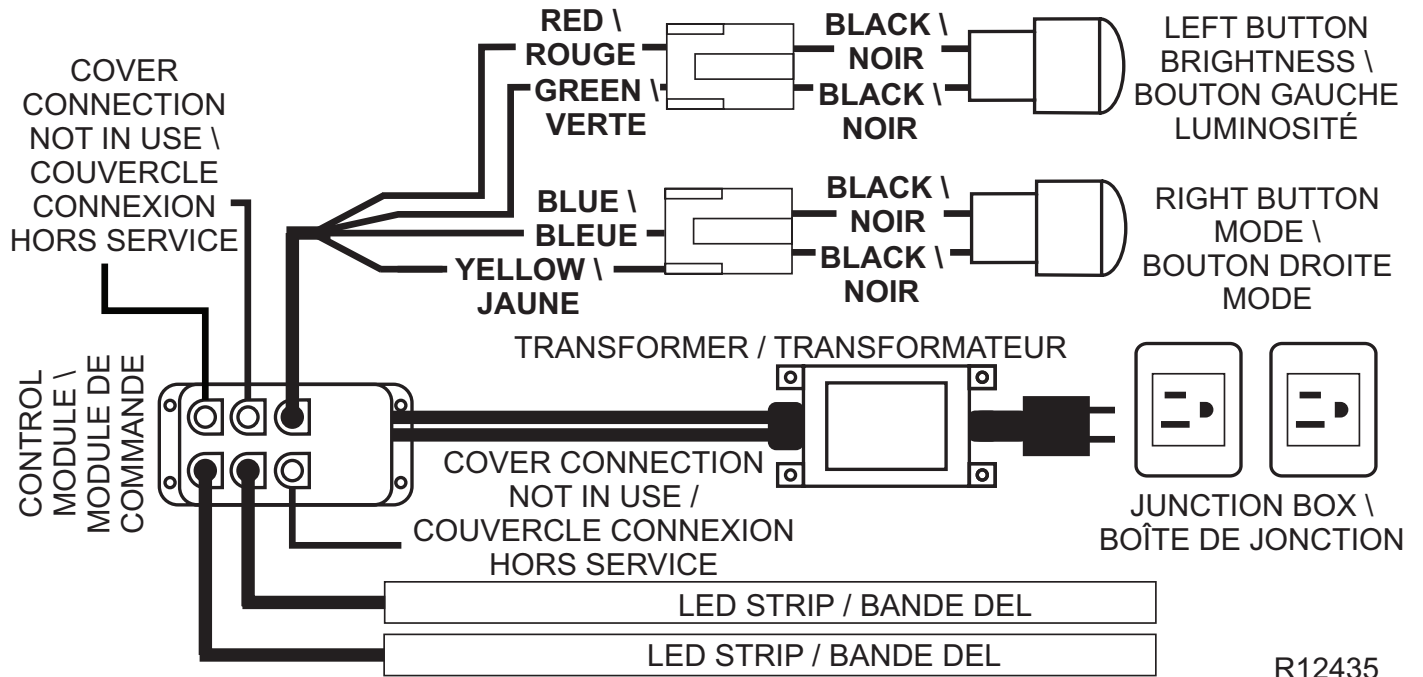


Figure 37 - Controls

NOTICE: LED lights will automatically turn off after two hours, if no activity. Pushing left button will turn LEDs on using last mode selected.

WIRING

Label all wires prior to disconnection when servicing controls. Wiring errors can cause improper and dangerous operation. Verify proper operation after servicing.



R12435

Figure 38 - LED System Wiring

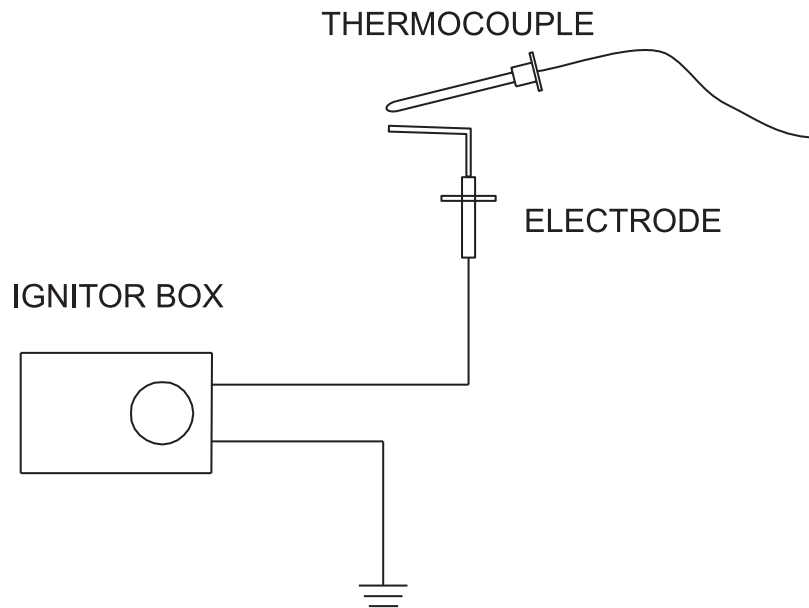


Figure 39 - Electronic Ignitor System Wiring

MAINTENANCE

Keep the control compartment and burner area clean.

Always keep the firepit area clear and free from combustible materials, gasoline, and other flammable vapors and liquids.

Never obstruct the flow of combustion and ventilation air. Keep the front of the firepit clear of all obstacles and materials.

If the burner assembly needs to be serviced allow the firepit to cool then remove the crushed glass and glass wind screen panels (if applicable), prior to servicing. It is recommended to use a clean vacuum for removal of the crushed glass. Retain glass for reuse.

Cleaning Instructions

This firepit is built using high-grade stainless steel to resist rust-through. In outdoor applications, all stainless steel will develop a dull patina and, depending on the local environment and the materials used in the installation, may develop some surface oxidation (rust). This does not affect the performance of the firepit, and does not require any action to correct. If you prefer keeping your firepit exterior looking factory-fresh, clean it as required with nonabrasive stainless steel cleaner.

When installation application includes highly acidic applications such as mortar or stone etching, we recommend that the firepit be cleaned with a non-abrasive stainless steel cleaner immediately.

WARNING

**Do not use Ammonia based or abrasive cleaners on glass.
Do not attempt to clean glass when glass is hot.**

Periodic Cleaning – Refer to parts diagram for location of items discussed below.

- Do not use cleaning fluid to clean any part of the firepit.
- Over time the crushed glass may break down into small pieces that could clog the main burner ports. Remove fine glass particles from burner ports. Replace with new crushed glass.

Annual Cleaning/Inspection – Refer to parts diagram for location of items discussed below.

- Inspect and clean burner air intake hole. Remove lint or particles with vacuum or brush. Failure to keep air intake hole clean will result in sooting and poor combustion.
- Inspect and clean all burner ports. Brush crushed glass away from burner and spray air from a can down the ports.
- Inspect ignitor and thermocouple and clean with damp paper towel.
- Verify flame pattern for proper operation.
- Verify smooth and responsive ignition of main burner.
- Spiders or other small insects may build webs or nests inside and on the burner, obstructing air flow. Fire, or flashback, can occur in and/or around the obstruction and cause an unsafe condition and damage to the firepit. To reduce risk, inspect the burner at least twice monthly when spiders are active, and remove any nests or webs. If the firepit has been unused for an extended period of time, inspect the burner and firepit before use.

TROUBLESHOOTING

SYMPTOMS - POSSIBLE CAUSES AND CORRECTIONS

Turn firepit OFF and allow to cool before servicing. Only a qualified service person should service and repair the firepit.

- 1. Firepit produces unwanted odors.**
 - a. Firepit burning vapors from unremoved plastic film, scented candles and torches, glues, etc. - Ventilate area. Stop using odor causing products while firepit is in operation.
 - b. Gas leak - Locate and correct all leaks.
- 2. Firepit shuts off during use. (Burner is off.)**
 - a. Too much crushed glass under thermopile.
 - b. Low line pressure - Contact local gas company.
 - c. Defective flame sensor - Replace thermocouple.
 - d. Strong wind blew flame off sensor for extended time. Relight burner. If this occurs frequently, optional wind deflector glass kit may help. See accessories on page 6.
- 3. Electrode does not spark or click when ignitor is pushed**
 - a. Check battery orientation, or replace battery.
 - b. Clear area around electrode of crushed glass, etc.
 - c. Igniter ground wire loose or detached from ignitor.
 - d. Electrode wire loose or detached from ignitor.
 - e. Check the distance between the thermopile and electrode tip. This distance must be set at $3/16" \pm 1/16"$.
 - f. Wiring problem. Fix or replace electrode assembly.
 - g. Electrode broken. Replace electrode assembly.
 - h. Faulty ignitor. Replace ignitor.
- 4. Gas odor even when control knob is in OFF position.**
 - a. Turn off main gas shutoff and call a qualified installer.
 - b. Gas leak - Locate and correct all leaks.
 - c. Control valve defective - Replace control valve.
- 5. Burner does not light.**
 - a. Not holding down control knob long enough.
 - b. Clear crushed glass from under the thermopile.
 - c. Clean and/or replace thermocouple.
- 6. Burner does not stay lit.**
 - a. Burner orifice clogged - Clean burner or replace main burner orifice.
 - b. Inlet gas pressure is too low - Contact qualified service person.
- 7. If burning at main burner orifice occurs (a loud, roaring blow torch noise).**
 - a. Turn off firepit and contact a qualified service person.
 - b. Manifold pressure is too low - Contact local gas company.
 - c. Burner orifice clogged - Clean burner or replace burner orifice.
- 8. Firepit produces a whistling noise when main burner is lit.**
 - a. Turning control knob to HIGH position when main burner is cold - Turn control knob to LOW position and let warm up for a minute.
 - b. Air in gas line - Operate burner until air is removed from line. Have gas line checked by local gas company.
 - c. Dirty or partially clogged burner orifice - Clean burner or replace burner orifice.
- 9. Firepit produces soot or backfires.**
 - a. Gas quality is bad - Contact your local gas supplier immediately.
- 10. Firepit gas pressure is low.**
 - a. Contact your local gas supplier immediately.

MASTER PARTS DISTRIBUTOR LIST

To Order Parts Under Warranty, please contact your local Empire dealer. See the dealer locator at www.empirecomfort.com. To provide warranty service, your dealer will need your name and address, purchase date and serial number, and the nature of the problem with the unit.

To Order Parts After the Warranty Period, please contact your dealer or one of the Master Parts Distributors listed below. This list changes from time to time. For the current list, please click on the Master Parts button at www.empirecomfort.com. Please note: Master Parts Distributors are independent businesses that stock the most commonly ordered Original Equipment repair parts for Heaters, Grills, and Fireplaces manufactured by Empire Comfort Systems Inc.

Dey Distributing

1401 Willow Lake Boulevard
Vadnais Heights, MN 55101

Phone: 651-490-9191

Toll Free: 800-397-1339

Website: www.deydistributing.com

Parts: Heater, Hearth and Grills

F. W. Webb Company

200 Locust Street
Hartford, CT 06114

Phone: 860-722-2433

Toll Free: 800-243-9360

Fax: 860-293-0479

Toll Free Fax: 800-274-2004

Websites: www.fwwebb.com & www.victormfg.com

Parts: Heater, Hearth and Grills

East Coast Energy Products

10 East Route 36
West Long Branch, NJ 07764

Phone: 732-870-8809

Toll Free: 800-755-8809

Fax: 732-870-8811

Website: www.eastcoastenergy.com

Parts: Heater, Hearth and Grills

HOW TO ORDER REPAIR PARTS

Parts Not Under Warranty

Parts can be ordered through your Service Person, Dealer, or a Master Parts Distributor. See this page for the Master Parts Distributors list. For best results, the **service person or dealer** should order parts through the distributor. Parts can be shipped directly to the **service person/dealer**.

Warranty Parts

Warranty parts will need a proof of purchase and can be ordered by your Service Person or Dealer. Proof of purchase is **required** for warranty parts.

All parts listed in the Parts List have a Part Number. When ordering parts, first obtain the Model Number and Serial Number from the name plate on your equipment. Then determine the Part Number (**not** the Index Number) and the Description of each part from the following illustration and part list. Be sure to give all this information . . .

Fireplace Model Number _____ Part Description _____

Fireplace Serial Number _____ Part Number _____

Type of Gas (Propane or Natural) _____

Do not order bolts, screws, washers or nuts. They are standard hardware items and can be purchased at any local hardware store.

Shipments contingent upon strikes, fires and all causes beyond our control.

OL48TP AND OL60TP PARTS LIST

USE ONLY MANUFACTURER'S REPLACEMENT PARTS. USE OF ANY OTHER PARTS COULD CAUSE INJURY OR DEATH.

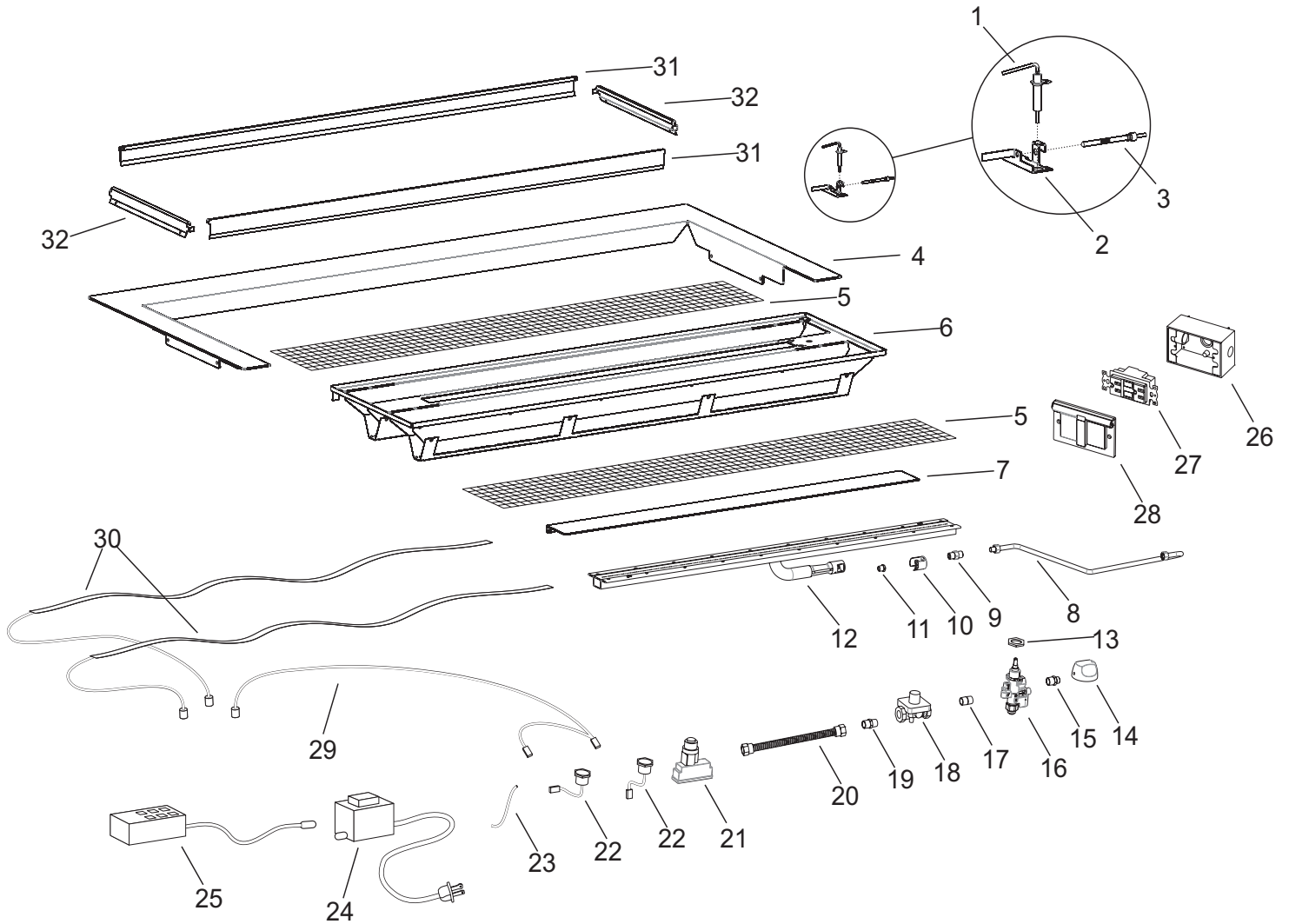
Index No.	Part No.	MODEL - OL48TP	Qty Req	
		Description	NAT	LP
1	R12388	ELECTRODE AND WIRE ASSEMBLY	1	1
2	37767	THERMOCOUPLE BRACKET	1	1
3	R685	THERMOCOUPLE, 22 IN	1	1
4	37789	OUTER TOP	1	1
5	R11802	COVER SCREEN, LIGHTS	2	2
6	37818	BURNER PLATE ASSEMBLY	1	1
7	37791	CONTROL DOOR	1	1
8	33258	TUBING ASSEMBLY SUPPLY	1	1
9	P271	FITTING, ORIFICE	1	1
10	R10808	AIR SHUTTER, STAINLESS	1	1
11	P282	ORIFICE #24 (NAT)	1	0
11	P181	ORIFICE #43 (LP)	0	1
12	37816	BURNER WELDED ASSEMBLY	1	1
13	R1652	NUT LOCK (VALVE)	1	1
14	B101848	GAS CONTROL KNOB	1	1
15	R7195	CONNECTOR, BRASS MALE	1	1
16	R11916	VALVE (LP) MANUAL	0	1
16	R11829	VALVE (NAT) MANUAL	1	0
17	R8898	NIPPLE, 3/8 X 3/8 X 1 BLACK IRON (NAT)	1	0
18	R7160	REGULATOR, 4.5 W.C. (NAT)	1	0
19	R10882	ELBOW, 90 DEGREE BRASS 3/8 FLARE X 3/8 NPT	1	1
20	B101393	FLEX LINE - YELLOW	1	1
21	B072218	IGNITOR, ELECTRONIC	1	1
22	R11921	SWITCH, BUTTON	2	2
23	R11932	WIRE, IGNITOR GROUND	1	1
24	R11920	TRANSFORMER, LED	1	1
25	R12693	CONTROL MODULE, LED	1	1
26	R11942	JUNCTION BOX	1	1
27	R3492	RECEPTACLE 3 - PRONG	1	1
28	R11943	COVER JUNCTION BOX	1	1
29	R11924	WIRE HARNESS, SWITCH	1	1
30	R11918	LIGHT STRIP, LED	2	2
31	37785	FILLER STRIP (48)	2	2
32	37784	FILLER STRIP, SIDE	2	2
N/S	R11843	SCREW 1/4 IN SHOULDER 10-24 X 3/8	2	2
N/S	R11891	VENTURI SCREEN	1	1
N/S	37880	PROP TOOL	2	2
N/S	R11955	PLUG CONTROL MODULE (INCLUDED WITH #25)	3	3

N/S - NOT SHOWN

Index No.	Part No.	MODEL - OL60TP	Qty Req	
		Description	NAT	LP
1	R12388	ELECTRODE AND WIRE ASSEMBLY	1	1
2	37767	THERMOCOUPLE BRACKET	1	1
3	R685	THERMOCOUPLE, 22 IN	1	1
4	37790	OUTER TOP	1	1
5	R11982	COVER SCREEN, LIGHTS	2	2
6	37819	BURNER PLATE ASSEMBLY	1	1
7	37792	CONTROL DOOR	1	1
8	33258	TUBING ASSEMBLY SUPPLY	1	1
9	P271	FITTING, ORIFICE	1	1
10	R10808	AIR SHUTTER, STAINLESS	1	1
11	P325	ORIFICE #12 (NAT)	1	0
11	P256	ORIFICE #41 (LP)	0	1
12	37817	BURNER WELDED ASSEMBLY	1	1
13	R1652	NUT LOCK (VALVE)	1	1
14	B101848	GAS CONTROL KNOB	1	1
15	R7195	CONNECTOR, BRASS MALE	1	1
16	R11916	VALVE (LP) MANUAL	0	1
16	R11829	VALVE (NAT) MANUAL	1	0
17	R8898	NIPPLE, 3/8 X 3/8 X 1 BLACK IRON (NAT)	1	0
18	R7160	REGULATOR, 4.5 W.C. (NAT)	1	0
19	R12078	FITTING, 1/2 FLARE X 3/8 MNPT	1	1
20	R12077	FLEX LINE - 1/2 FLARE X 25 IN	1	1
21	B072218	IGNITOR, ELECTRONIC	1	1
22	R11921	SWITCH, BUTTON	2	2
23	R11932	WIRE, IGNITOR GROUND	1	1
24	R11920	TRANSFORMER, LED	1	1
25	R11919	CONTROL MODULE, LED	1	1
26	R11942	JUNCTION BOX	1	1
27	R3492	RECEPTACLE - 3 PRONG	1	1
28	R11943	COVER JUNCTION BOX	1	1
29	R11924	WIRE HARNESS, SWITCH	1	1
30	R11986	LIGHT STRIP, LED	2	2
31	37786	FILLER STRIP (60)	2	2
32	37784	FILLER STRIP, SIDE	2	2
N/S	R11843	SCREW, 1/4 IN SHOULDER 10-24 X 3/8	2	2
N/S	R11891	VENTURI SCREEN	1	1
N/S	37880	PROP TOOL	2	2
N/S	R11955	PLUG, CONTROL MODULE (INCLUDED WITH #25)	3	3

N/S - NOT SHOWN

OL48TP AND OL60TP PARTS VIEW



SOME COMPONENTS MAY DIFFER FROM SHOWN.

WARRANTY TERMS

Empire Comfort Systems Inc. warrants this hearth product to be free from defects at the time of purchase and for the periods specified below. Hearth products must be installed by a qualified technician and must be maintained and operated safely, in accordance with the instructions in the owner's manual. This warranty applies to the original purchaser only and is not transferable. All warranty repairs must be accomplished by a qualified gas appliance technician.

***Limited Five-Year Parts Warranty – All Components
(Except Remote Controls, Thermostats, Accessories and Replacement Parts)***

Should any part fail because of defective workmanship or material within five years from the date of purchase, Empire will repair or replace at Empire's option.

Limited One-Year Parts Warranty – Remote Controls, Thermostats, Accessories, and Parts

Should any remote control, thermostat, accessory, or other part fail because of defective workmanship within one year from the date of purchase, Empire will repair or replace at Empire's option.

Duties of the Owner

The appliance must be installed by a qualified installer and operated in accordance with the instructions furnished with the appliance. A bill of sale, cancelled check, or payment record should be kept to verify purchase date and establish warranty period. Ready access to the appliance for service.

What Is Not Covered

Damages that might result from the use, misuse, or improper installation of this appliance.

Travel, diagnostic costs and freight charges on warranted parts to and from the factory.

Claims that do not involve defective workmanship or materials.

Unauthorized service or parts replacements.

Removal and reinstallation cost.

Inoperable due to improper or lack of maintenance.

How To Get Service

To make a claim under this warranty, please have your receipt available and contact your installing dealer.

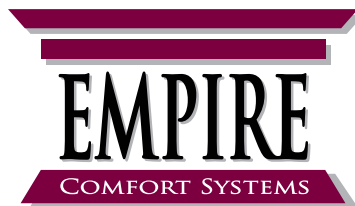
Provide the dealer with the model number, serial number, type of gas, and purchase verification. The installing dealer is responsible for providing service and will contact the factory to initiate any warranted parts replacements.

Empire will make replacement parts available at the factory. Shipping expenses are not covered.

If, after contacting your Empire dealer, service received has not been satisfactory, contact: Consumer Relations Department, Empire Comfort Systems Inc., PO Box 529, Belleville, Illinois 62222, or send an e-mail to info@empirecomfort.com with "Consumer Relations" in the subject line.

Your Rights Under State Law

This warranty gives you specific legal rights, and you may also have other rights, which vary from state to state.



**Empire Comfort Systems Inc.
Belleville, IL**

If you have a general question
about our products, please e-mail
us at info@empirecomfort.com.

If you have a service or repair
question, please contact your dealer.

SINCE 1932

www.empirecomfort.com

INSTRUCTIONS D'INSTALLATION ET MODE D'EMPLOI

INSTALLATEUR :

Laisser ce manuel avec l'appareil.

CONSOMMATEUR :

Garder ce manuel pour référence ultérieure.

⚠ AVERTISSEMENT

Pour usage extérieur seulement.

⚠ AVERTISSEMENT

Si vous sentez du gaz :

1. Coupez le gaz à l'appareil.
2. Éteignez toute flamme vive.
3. Si l'odeur continue, éloignez-vous de l'appareil et appelez immédiatement votre fournisseur de gaz ou les pompiers.

⚠ AVERTISSEMENT

Une mauvaise installation ou altération, un mauvais ajustement, service ou entretien pourrait causer des blessures ou des dommages matériels. Lisez les instructions d'installation, d'utilisation et d'entretien soigneusement avant d'installer ou d'entretenir cet équipement.

⚠ AVERTISSEMENT

Ne pas entreposer et ne pas utiliser d'essence ni tout autre liquide aux vapeurs inflammables à proximité du présent appareil ou de tout autre appareil.

Un cylindre Gaz Propane qui n'est pas connecté pour être utilisé ne devrait pas être rangé à proximité de cet appareil ou tout autre appareil.

OUTDOOR LINEAR GAS FIREPLACE MODELS

OL48TP10(N,P)-1

OL48TP18(N,P)-1

OLL60FP12S(N,P)-1

OLL60SP12S(N,P)-1



⚠ AVERTISSEMENT

Si ces instructions ne sont pas respectées à la lettre, il peut se produire un incendie ou une explosion causant des dégâts matériels, des lésions corporelles ou pertes de vie humaine.

⚠ AVERTISSEMENT

S'il n'est pas installé, utilisé et entretenu selon les instructions du fabricant, ce produit pourrait vous exposer à des substances provenant de carburant ou de sa combustion qui pourrait entraîner la mort ou des maladies graves.

L'installation et l'entretien doivent être exécutés par un installateur qualifié, une agence de service ou par le fournisseur de gaz.



Aux États-Unis, nous recommandons que nos appareils à gaz soient installés et entretenus par des professionnels certifiés de la NFI (National Fireplace Institute®).



DANGER



RISQUE DE MONOXIDE DE CARBONE

Cet appareil peut produire du monoxyde de carbone qui n'a pas d'odeur.

L'utiliser dans un endroit clos peut vous tuer.

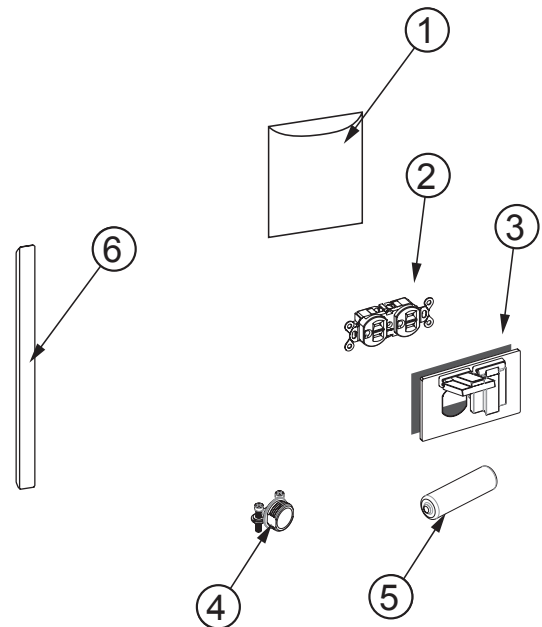
Ne jamais utiliser cet appareil dans un endroit clos comme une roulotte, tente, voiture ou maison.

AVANT DE COMMENCER

1. Lire les informations relatives à la sécurité figurant aux pages 4 et 5.
2. Que faut-il prendre en compte avant l'installation. Voir pages 9 et 10.
3. Il faut prévoir un écoulement d'eau. Voir page 12. Bac d'écoulement offert en option.
4. À quel endroit prévoit-on installer l'appareil? Voir pages 9 à 12.
5. Construction de l'enceinte. Voir pages 9 à 17.
6. Installer le foyer. (Modèles avec lampes à DEL installées) Voir pages 13 à 20.
7. Connecter l'électricité. Voir page 13.
8. Raccorder le gaz. Voir pages 14 à 16.
9. Installer le verre pilé. Voir page 20.
10. Allumer le foyer et faire le dépannage. Voir pages 21 et 22.
11. Montrer au propriétaire comment faire fonctionner le foyer. Voir pages 21 à 23.
12. Montrer au propriétaire comment effectuer l'entretien de base. Voir page 25.

Outils requis :

- (1) - Clé Allen 1/8 po
- (2) - Clés ajustables avec jeu de 1 po (25 mm) pour connexion du gaz
- (2) - Clés de tuyau ajustables
- (1) - Tournevis cruciforme
- (1) - Tournevis à douille 5/16 po



CONTENU DE L'EMBALLAGE			
Repère	Description	Quantité fournie	
		OL(48,60)TP10	OL(48,60)TP18
1	Enveloppe contenant les instructions	1	1
2	Prise	-	1
3	Plaque de finition murale	-	1
4	Raccord de conduit 1/2 po (13 mm)	-	1
5	Pile AA	1	1
6	Béquille	2	2

Voir la liste des pièces à la page 29 pour commander des pièces de rechange. Ne pas commander de piles, boulons, vis, rondelles ou écrous. Ce sont des articles de quincaillerie standard pouvant être achetés dans toute quincaillerie locale.

TABLE DES MATIÈRES

SECTION	PAGE
Avant de commencer	2
Table des matières	3
Consignes de sécurité importantes	4
Consignes de sécurité pour les utilisateurs de Gaz Propane	5
Caractéristiques du produit	6
Accessoires	6
Dimensions du foyer	7
Introduction	8
Matériaux combustibles	11
Dégagements	11
Planification de l'installation	9 - 12
Installation du foyer :	
- Alimentation électrique.....	13
- Alimentation en gaz.....	14
- Information sur la bombonne de Gaz Propane.....	15 - 16
- Exigences concernant l'enceinte du foyer	17 - 18
- Finition	19 - 20
Instructions d'allumage	21
Caractéristiques de la flamme du brûleur principal	22
Instructions d'utilisation / lampes à DEL	23
Câblage	24
Entretien	25
Dépannage	26
Liste des distributeurs de pièces principaux	27
Comment commander des pièces de rechange	27
Liste des pièces de l'OL48TP	28
Liste des pièces de l'OL60TP	28
Vue éclatée de l'OL48TP	29
Vue éclatée de l'OL60TP	29
Maintenance historique du foyer	30
Conditions de la garantie	31

CONSIGNES DE SÉCURITÉ IMPORTANTES

À PROPOS DE L'INFORMATION (D'AVERTISSEMENT) CI-DESSOUS

Ce manuel comprend des avertissements destinés à vous protéger durant l'installation et l'utilisation de ce produit. Chaque avertissement commence par le symbole d'alerte et un mot d'alerte en caractères gras, suivis des détails de l'avertissement. Prière de lire les exemples d'avertissements ci-dessous.

EXEMPLES D'AVERTISSEMENTS ET DÉFINITIONS :

⚠ DANGER : Indique une situation dangereuse qui, si elle n'est pas évitée, provoque la mort ou des blessures graves.

⚠ AVERTISSEMENT : Indique une situation potentiellement dangereuse qui, si elle n'est pas évitée, peut provoquer la mort ou des blessures corporelles.

⚠ ATTENTION : Indique une situation potentiellement dangereuse qui, si elle n'est pas évitée, peut provoquer des blessures corporelles mineures ou modérées.

AVIS : Concerne des pratiques qui ne sont pas reliées aux blessures corporelles.

⚠ DANGER

- Les enfants et les adultes doivent être avertis du danger des hautes températures de surface et être tenus à l'écart pour éviter de se brûler ou d'enflammer des vêtements.
- Les jeunes enfants doivent être surveillés avec attention lorsqu'ils sont dans la même pièce que le foyer.
- Ne pas suspendre de vêtements ou autres matières inflammables à proximité du foyer et ne pas les placer sur ou près du foyer.
- Maintenir le voisinage du foyer dégagé et exempt de matières combustibles, d'essence et d'autres vapeurs et liquides inflammables.
- Ne jamais se pencher au-dessus du foyer pour l'allumer ou durant son utilisation.

⚠ AVERTISSEMENT

- Ne pas placer des débris, bûches ou autres articles dans le foyer lors de l'utilisation.
- Toute modification aux contrôles peut être dangereuse. Une installation incorrecte du foyer peut provoquer des blessures graves ou la mort par incendie, brûlure, explosion ou intoxication au monoxyde de carbone.
- Effectuer régulièrement un contrôle visuel du brûleur. Nettoyer et remplacer les pièces endommagées.
- Ne jamais utiliser le foyer pour cuisiner.

- Installateur : Veuillez laisser ces instructions avec le propriétaire pour référence ultérieure
- Cette unité est conforme à ANSI Z21.97/CSA 2.41 pour les foyers à gaz extérieurs.
- L'installation et les réparations doivent être effectuées par un **TECHNICIEN QUALIFIÉ**. Ce foyer doit être inspecté avant utilisation et au moins une fois par an par un technicien d'entretien qualifié. Un nettoyage plus fréquent peut être nécessaire en raison des insectes, de l'accumulation de pollen, etc. Il est impératif que les compartiments de commande, les brûleurs et les passages de circulation d'air du foyer restent propres.
- Lors de la fabrication, de l'usinage et de l'expédition, certaines pièces du foyer sont traitées avec certaines huiles, certains films ou produits adhésifs. Ces produits ne sont pas nocifs, mais peuvent causer une fumée et des odeurs déplaisantes lorsqu'ils sont brûlés lors de l'utilisation initiale du foyer. C'est une situation normale et temporaire.
- Respecter tous les codes locaux concernant l'installation, la combustion et l'air de ventilation ou, en l'absence de codes locaux, le National Fuel Gas Code ANSI Z223.1 (installation aux États-Unis) ou le Code d'installation CAN/CGA-B149 (installation au Canada).
- Inspectez le brûleur au moins une fois par année.
- Maintenir la propreté du brûleur et du compartiment de commande.
- **NE PAS** utiliser ce foyer si une quelconque partie a été immergée dans l'eau. Appeler immédiatement un technicien d'entretien qualifié pour inspecter le foyer et remplacer toute pièce du système de commande et toute commande de gaz ayant été immergées.
- Toute protection ou tout dispositif de protection enlevé lors de l'entretien de l'appareil doit être remis en place avant d'utiliser l'appareil.

CONSIGNES DE SÉCURITÉ POUR LES UTILISATEURS DE GAZ PROPANE

Le propane est un gaz inflammable pouvant provoquer des incendies et des explosions. À l'état naturel, le propane est inodore et incolore. Vous ne connaissez peut-être pas toutes les mesures de précautions suivantes, qui peuvent vous protéger, vous et votre famille, contre les accidents. Veuillez les lire attentivement maintenant, puis les relire point par point avec les membres de votre famille. Un jour, il n'y aura peut-être pas une minute à perdre et la sécurité de chacun demandera de savoir exactement quoi faire. Si, après avoir lu les informations ci-dessous, vous pensez avoir besoin de plus de renseignements, veuillez communiquer avec votre fournisseur de gaz.

ODEUR D'AVERTISSEMENT DE GAZ PROPANE

En cas de fuite de gaz, une odeur de gaz doit être perceptible parce que le Gaz Propane contient un odorisant. Ce signal demande une action immédiate!

- Ne pas actionner d'interrupteur électrique, allumer d'allumette, ni utiliser le téléphone. Ne faites rien qui pourrait allumer le gaz.
- Faire sortir tout le monde du bâtiment, du véhicule, de la caravane ou de la zone. Faites ceci IMMÉDIATEMENT.
- Fermer tous les robinets de réservoir ou de bouteille de gaz.
- Le Gaz Propane est plus lourd que l'air et peut s'accumuler dans les zones basses telles que les sous-sols. Si une fuite de gaz est soupçonnée, rester hors des sous-sols et de toute autre zone basse. Rester à l'extérieur jusqu'à ce que les pompiers déclarent les lieux sans danger.
- Depuis une maison voisine, téléphoner à un réparateur spécialisé en Gaz Propane et aux pompiers. Ne pas rouvrir le gaz, même si l'odeur n'est plus perceptible. Ne pas rentrer dans le bâtiment, le véhicule, la caravane ou la zone.
- **Enfin**, laisser le réparateur et les pompiers vérifier l'absence de gaz. Leur faire aérer la zone avant d'y revenir. Le personnel de réparation formé au Gaz Propane doit réparer la fuite, puis contrôler et rallumer le foyer au gaz pour vous.

AUCUNE ODEUR DÉTECTÉE - AFFAIBLISSEMENT DE L'ODEUR
Certaines personnes ont l'odorat peu développé. Certaines personnes ne sentent pas l'odeur de l'additif intégré au gaz. Veiller à déterminer si on parvient à sentir l'odorisant dans le propane. La cigarette peut réduire le sens de l'odorat. La présence d'une odeur pendant un certain temps peut altérer la sensibilité ou la capacité à détecter cette odeur. Parfois, d'autres odeurs présentes masquent l'odeur de gaz. Il est possible qu'on ne sente pas l'odeur de gaz ou qu'on ait l'esprit ailleurs. Le fait de penser à l'odeur du gaz peut rendre la tâche plus facile.

L'odorisant dans le Gaz Propane est incolore et peut s'estomper sous certaines circonstances. Par exemple, en cas de fuite souterraine, le passage du gaz à travers le sol peut filtrer l'odorisant. Les odorisants du Gaz Propane peuvent aussi s'oxyder. L'affaiblissement peut se produire en présence de rouille dans la cuve ou dans les conduites de gaz en fer.

L'odorisant présent dans le gaz échappé peut être adsorbé ou absorbé dans les murs, la maçonnerie et autres matériaux ou tissus dans la pièce. Cela réduit la quantité d'odorisant dans le gaz et donc l'intensité de l'odeur.

Le Gaz Propane peut s'accumuler en couches dans les espaces

clos et l'odeur peut varier avec la hauteur. Comme il est plus lourd que l'air, l'odeur peut être plus forte aux niveaux inférieurs. Veiller à toujours être sensible à la moindre odeur de gaz. Si une odeur est détectée, la considérer comme une fuite grave. Réagir immédiatement comme indiqué plus haut.

CERTAINS POINTS À GARDER À L'ESPRIT

- Apprendre à reconnaître l'odeur du Gaz Propane. Le fournisseur de Gaz Propane local peut fournir une brochure « gratter pour sentir ». Veiller à s'en servir pour apprendre à reconnaître l'odeur du propane. Si le Gaz Propane utilisé semble avoir une odeur faible ou anormale, appeler le fournisseur de gaz.
- Ne pas allumer de veilleuse, effectuer d'entretien ou ajuster de réglage sur des foyers au Gaz Propane si on n'est pas qualifié. Si l'on est qualifié, bien penser à l'odeur de Gaz Propane avant et pendant l'allumage de veilleuses, l'entretien ou le réglage des appareils.
- L'affaiblissement de l'odeur, par oxydation sur la rouille ou adsorption par les parois de bouteilles ou de cuves neuves, est possible. Il importe donc d'être particulièrement vigilant et prudent lors de la mise en service de bouteilles ou cuves neuves. L'affaiblissement d'odeur peut se produire dans les cuves neuves ou remises en service, si elles sont remplies et laissées comme telles trop longtemps avant le remplissage suivant. Les bouteilles et les cuves mises hors service pendant un certain temps peuvent développer de la rouille à l'intérieur, causant un affaiblissement d'odeur. Si une telle situation est suspectée, il est conseillé de vérifier s'il y a une odeur du gaz à intervalles réguliers. **Pour toute question concernant l'odeur du gaz, appeler le fournisseur de Gaz Propane. Un contrôle périodique de l'odeur du Gaz Propane est une bonne mesure de précaution dans toutes circonstances.**
- Si, à tout moment, l'odeur de l'odorisant du Gaz Propane n'est pas perceptible alors qu'elle devrait l'être, présumer qu'il y a une fuite. Prendre les mêmes mesures immédiates que celle préconisée plus haut lorsque le Gaz Propane odorisé est détecté.
- En cas d'épuisement total du gaz (plus de pression de vapeur dans le réservoir), fermer immédiatement le robinet du réservoir. Si le robinet du réservoir est resté ouvert, le réservoir pourrait tirer de l'air au travers d'ouvertures telles que les orifices de la veilleuse. Dans ce cas, de la rouille interne pourrait se développer. Si le robinet est laissé ouvert, traiter le réservoir comme un nouveau réservoir. Pour s'assurer que le réservoir est toujours sous pression de vapeur, fermer le robinet ou refaire le plein du réservoir avant qu'il soit complètement vide.

CARACTÉRISTIQUES DU PRODUIT

	GAZ NATUREL	GAZ PROPANE
Réglage de pression du collecteur	4-1/2 po CE (1,12 kPa)	11 po CE (2,74 kPa)
Pression max. d'arrivée de gaz	7 po CE (1,74 kPa)	11 po CE (2,74 kPa)

Numéro de modèle	BTU/h max.	BTU/h min.	Type de gaz	Type de vanne	Taille d'orifice	Réglage d'obturateur d'air
OL48TP10N	55 000	39 500	NATUREL	MANUEL	24	1/16 po (1,6 mm) ouvert
OL48TP10P	55 000	35 500	PROPANE	MANUEL	43	3/8 po (9,5 mm) ouvert
OL48TP18N	55 000	39 500	NATUREL	MANUEL	24	1/16 po (1,6 mm) ouvert
OL48TP18P	55 000	35 500	PROPANE	MANUEL	43	3/8 po (9,5 mm) ouvert
OL60TP10N	65 000	46 500	NATUREL	MANUEL	12	1/16 po (1,6 mm) ouvert
OL60TP10P	65 000	38 000	PROPANE	MANUEL	41	Totalement ouvert
OL60TP18N	65 000	46 500	NATUREL	MANUEL	12	1/16 po (1,6 mm) ouvert
OL60TP18P	65 000	38 000	PROPANE	MANUEL	41	Totalement ouvert

ACCESSOIRES

VERRE PILÉ DÉCORATIF

Jeux de verre pilé décoratif requis (5 pi² [0,56 m²] minimum, 7 pi² [0,74 m²] maximum) requis pour brûleur OL48 et éclairage à DEL et (6 pi² [0,46 m²] minimum, 8 pi² [0,65 m²] maximum) pour brûleur OL60 et éclairage à DEL

Modèle	Description
DG1CLF*	Givré clair

VERRE PILÉ DÉCORATIF (COMME ACCENT SEULEMENT)

Modèle	Description	Modèle	Description
DG1BKP*	Noir poli	DG1BCR	Cuivre
DG1BUC*	Bleu	DG1BZR	Bronze

*Le verre pilé décoratif incolore givré est recommandé si le foyer est équipé de l'éclairage à DEL. Les gouttelettes décoratives en verre ne peuvent être substituées au verre pilé. Un sac de verre pilé couvre 1 pi² (0,09 m²). Du verre de différentes couleurs peut être mélangé. Huit sacs sont la quantité maximale de verre pilé décoratif permise pour les modèles OL60 et sept sacs pour les OL48. Le verre pilé transparent et translucide permet de maximiser la luminosité des DEL.

LES GOUTTES ET LES GOUTTELETTES DÉCORATIVES EN VERRE (PEUVENT ÊTRE UTILISÉES EN PLUS DU VERRE PILÉ)

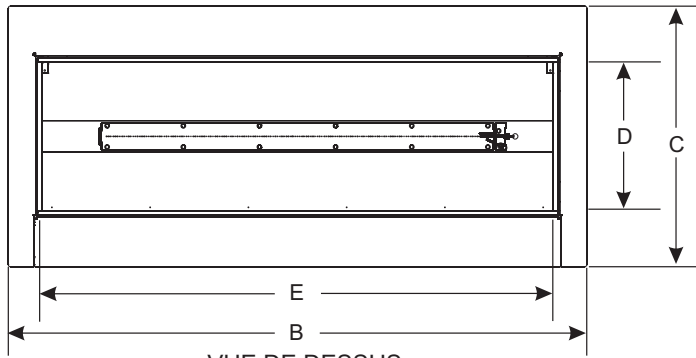
Modèle	Description	Modèle	Description
DG1NXS	Gouttes décoratives en verre de 1 po (25 mm) - Onyx massif	DG1AB	Gouttelettes décoratives en verre de 1/2 po (13 mm) - Turquoise
DG1RYC	Gouttes décoratives en verre de 1 po (25 mm) - Rubis clair	DG1GC	Gouttelettes décoratives en verre de 1/2 po (13 mm) - Gris glacier
DG1TZC	Gouttes décoratives en verre de 1 po (25 mm) - Topaze clair	DG1SL	Gouttelettes décoratives en verre de 1/2 po (13 mm) - Sangria lustré

REMARQUE : Les gouttelettes décoratives en verre peuvent être ajoutées sur le dessus du verre pilé pour enjoliver. Les gouttelettes décoratives en verre doivent être placées sur la flamme du brûleur. Vous reporter à l'installation du verre pilé à la page 22. Ne pas ajouter plus d'un sac de gouttelettes décoratives en verre.

ACCESSOIRES

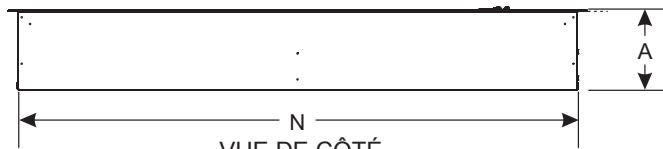
Modèle		Description
OL48TP	OL60TP	
DT48LSS	DT48LSS	Plateau d'écoulement en acier inoxydable – (pour les foyers 48 po [120 cm] et 60 po [150 cm])
WC48LSS	WC60LSS	Couvercle contre les intempéries en acier inoxydable
WG484LT	WG604LT	Jeu de déflecteur en verre (pour les endroits venteux)
37992	37993	Trousse de conversion du Gaz Naturel au Gaz Propane
37991	37994	Trousse de conversion Gaz Propane à Gaz Naturel
BBA	BBA	Jeu de porte de bombonne de PL inclinable
BRB	BRB	Jeu de bouche de ventilation (inclut deux bouches)

DIMENSIONS DU FOYER



VUE DE DESSUS

Figure 1



VUE DE CÔTÉ

Figure 2

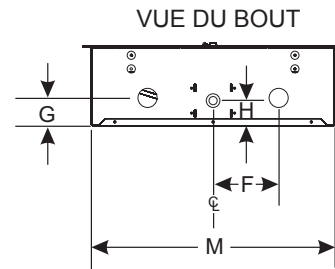
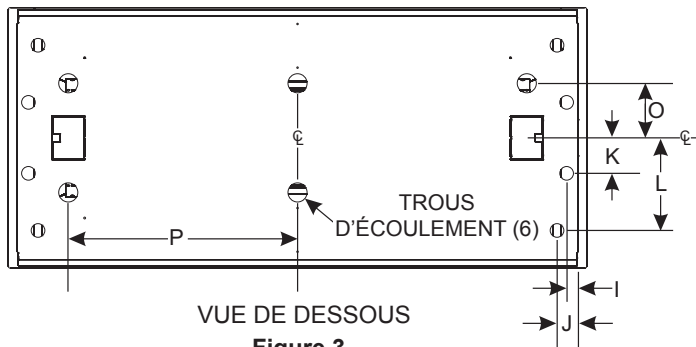


Figure 4



VUE DE DESSOUS

Figure 3

Repère	Description de la dimension	OL48TP	OL60TP
		Dimensions en pouces (mm)	
A	Hauteur maximale du foyer	7-3/8 po (187 mm)	7-3/8 po (187 mm)
B	Largeur maximale du foyer	53 po (1346 mm)	65 po (1651 mm)
C	Profondeur maximale du foyer	23-7/8 po (606 mm)	23-7/8 po (606 mm)
D	Profondeur maximale du lit de verre pilé	13-11/16 po (348 mm)	13-11/16 po (348 mm)
E	Largeur maximale du lit de verre pilé	46-7/8 po (1191 mm)	58-7/8 po (1495 mm)
F	Extrémité de la conduite de gaz de l'axe central du foyer	6 po (152 mm)	6 po (152 mm)
G	Extrémité de la conduite de gaz du fond du foyer	2-9/16 po (65 mm)	2-9/16 po (65 mm)
H	Hauteur de l'ouverture de la connexion électrique du fond du foyer	2-5/16 po (59 mm)	2-5/16 po (59 mm)
I	Fond des ouvertures électriques de l'extrémité du foyer	1-1/16 po (27 mm)	1-1/16 po (27 mm)
J	Fond des ouvertures de conduite de gaz de l'extrémité du foyer	1-15/16 po (49 mm)	1-15/16 po (49 mm)
K	Fond des ouvertures électriques de l'axe central du foyer	3-1/4 po (83 mm)	3-1/4 po (83 mm)
L	Fond des ouvertures de conduite de gaz de l'axe central du foyer	5 po (127 mm)	5 po (127 mm)
M	Profondeur du caisson inférieur	22-7/16 po (570 mm)	22-7/16 po (570 mm)
N	Largeur du caisson inférieur	51-3/4 po (1314 mm)	63-3/4 po (1619 mm)
O	Emplacement du trou d'écoulement du fond par rapport à l'axe central	5 po (127 mm)	5 po (127 mm)
P	Emplacement du trou d'écoulement du fond par rapport à l'axe central	21 po (533 mm)	21 po (533 mm)

INTRODUCTION

Instructions pour l'installateur

1. L'installateur doit laisser le manuel d'instructions au propriétaire après la pose.
2. L'installateur doit demander au propriétaire de remplir et poster la carte d'enregistrement fournie avec le foyer ou de s'enregistrer en ligne sous www.empirecomfort.com.
3. L'installateur doit montrer au propriétaire comment démarrer et faire fonctionner le foyer extérieur.

Toujours s'informer auprès du Service de la construction local des réglementations, codes ou ordonnances s'appliquant à la pose d'un foyer à gaz extérieur.

AVERTISSEMENT

Pour éviter des blessures et des dommages au foyer ou à la zone environnante, ne pas brûler du bois ou d'autres combustibles solides dans ce foyer.

AVERTISSEMENT

Toute modification de ce foyer ou de ses commandes peut être dangereuse. Une installation ou utilisation incorrecte du foyer peut provoquer des blessures graves ou la mort par incendie, brûlure, explosion ou intoxication au monoxyde de carbone.

Le concept de cette série est certifié conformément aux normes **ANSI Z21.97/CSA 2.41 pour foyers au gaz extérieur** et doit être installé conformément à ces instructions.

Toute modification de la configuration d'origine, installation autre que celles présentées dans ces instructions ou utilisation d'un type de gaz non spécifié sur la plaque signalétique relève de la responsabilité de la personne ou de la société effectuant la modification.

Système de sécurité à valve manuelle

Lorsque le brûleur s'allume, une thermopile détecte un signal (courant électrique) qui active un aimant dans la vanne de gaz. Après 30 à 60 secondes, on peut relâcher le bouton de commande. Si la thermopile ne détecte pas la flamme, le gaz sera fermé.

Important

Toute correspondance doit comporter le numéro de modèle complet, le numéro de série et le type de gaz.

Résistance à l'humidité

Lors de l'achat d'un foyer, nous recommandons d'acheter aussi une housse pour protéger l'appareil contre l'humidité excessive. Ne jamais poser un brûleur dans un endroit où l'humidité ne peut pas s'évacuer facilement.

AVIS : Ce foyer est d'une conception certifiée pour l'utilisation comme foyer au gaz d'extérieur et certaines références peuvent utiliser le terme « foyer » conformément à la norme **ANSI Z 21.97/CSA 2.41** pour les foyers au gaz d'extérieur.

Service d'installation qualifié

L'installation et le remplacement de conduites de gaz, d'appareils alimentés au gaz ou d'accessoires et la réparation et l'entretien du matériel doivent être confiés à un service qualifié. Le terme « agent qualifié » fait référence à toute personne, firme, société ou entreprise qui, soit en personne soit par l'intermédiaire d'un représentant, exécute et est responsable de (a) l'installation ou le remplacement de conduites de gaz ou (b) du raccordement, de l'installation, de la réparation ou de l'entretien de matériel, qui est expérimentée dans ce domaine, familiarisée avec toutes les mesures de précaution requises et qui s'est conformée à toutes les exigences réglementaires en vigueur.

Codes locaux

- Lorsque l'appareil est connecté à un système de tuyauterie fixe, l'installation doit se conformer avec les codes locaux, ou en l'absence de codes locaux, avec le *Code de gaz combustible national ANSI Z223.1/NFPA 54*, ou le *Code de gaz combustible international*.
- Lors de son installation, l'appareil doit être électriquement mis à la terre en conformité avec la réglementation locale ou, en l'absence de réglementation locale, avec le *Code électrique national, ANSI/NFPA 70*, si une source électrique externe est utilisée.

Commonwealth du Massachusetts : L'installation doit être effectuée par un plombier-monteur d'installation au gaz agréé dans le Commonwealth du Massachusetts.

L'installation doit être conforme avec les codes locaux ou, dans l'absence de codes locaux, avec le Code de gaz combustible national ANSI Z223.1.*

*Disponible auprès de l'*American National Standards Institute, Inc.*
1430 Broadway, New York, N.Y. 10018.

Hautes altitudes

Aux altitudes supérieures à 2 000 pieds (610 m), les valeurs d'entrée doivent être réduites de 4% pour chaque portion de 1000 pieds (305 m) au-dessus de la mer. Contactez le fabricant ou votre société de gaz avant de changer la taille de l'injecteur/orifice.

Ensembles de conversion

Des ensembles de conversion sont offerts. Voir page 6. L'installation d'un ensemble de conversion doit être réalisée avant de poser du verre pilé sur les zones du brûleur et des grilles.

PLANIFICATION DE L'INSTALLATION

Ce dont il faut tenir compte avant l'installation

1. Vérifier que le type du foyer au gaz et le type d'alimentation en gaz sont les mêmes.
2. Trouver un endroit où les combustibles ne risquent pas d'interférer.
3. Une prise avec disjoncteur de fuite de terre 120 volts sera nécessaire pour les témoins DEL.
4. Choisir un endroit pour la valve d'arrêt du gaz. L'installation exige l'installation d'un robinet d'arrêt du gaz externe facilement accessible. (Non fourni)
5. Vérifier que la ventilation respecte les exigences minimales
6. Écoulement sous le foyer.
7. Bac d'écoulement et couvercle contre les intempéries. (Accessoires en option)
8. Accessoire de pare-brise en verre (en option)

Lors de la planification de l'installation du foyer, déterminer l'endroit où l'unité sera installée et si des accessoires en option sont désirés. La tuyauterie d'alimentation en gaz devrait aussi être planifiée à ce point.

Le foyer peut être posé sur l'une des surfaces suivantes :

1. Une plateforme surélevée de matériau combustible.
2. Une base en briques, en blocs ou en pierre.

Les quatre brides du périmètre doivent être en contact à une profondeur d'au moins 7-1/2 po (191 mm) afin de retenir le foyer. Les dimensions de l'ouverture interne sont montrées à la **Figure 5**. L'enceinte doit inclure des dispositions pour l'écoulement de l'eau.

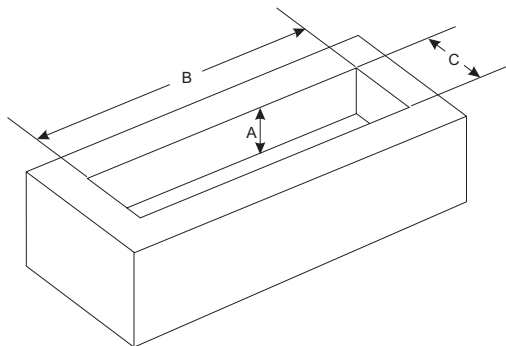


Figure 5

	OL48TP		OL60TP	
	Dimensions internes de l'enceinte en pouces (mm)			
Hauteur A	*7-1/2 po (191 mm) min.		*7-1/2 po (191 mm) min.	
Largeur B	51-3/4 po (1314 mm) min.	52-1/2 po (1333 mm) max.	63-3/4 po (1619 mm) min.	64-1/2 po (1638 mm) max.
Profondeur C	22-5/8 po (575 mm) min.	23-1/2 po (597 mm) max.	22-5/8 po (575 mm) min.	23-1/2 po (597 mm) max.

*Si un bac d'écoulement en option est installé, il faut prévoir au moins 6 po (152 mm) de hauteur supplémentaire de l'enceinte afin d'avoir suffisamment d'espace pour le bac d'écoulement, le connecteur et le tube.

À ce point, une décision devrait avoir été prise quant aux composants à ajouter à l'installation et à l'emplacement du foyer. Si ce n'est pas déjà fait, arrêter et consulter le concessionnaire avec cette planification.

⚠ AVERTISSEMENT

Ce foyer est conçu pour être installé sur une terrasse ou dans votre jardin. Ce foyer ne peut être utilisé qu'à l'extérieur dans un endroit bien aéré et ne doit PAS être utilisé dans un bâtiment, garage ou tout autre endroit fermé. Ce foyer ne peut être installé avec une ouverture vers l'intérieur d'une résidence.

AVIS : Ce foyer n'est PAS équipé d'une veilleuse à détecteur d'appauvrissement de l'oxygène (ODS).

L'installation de ce foyer peut être dans un endroit à découvert, mais il est toutefois recommandé de l'installer dans un endroit à l'abri des vents directs.

Le vent direct rendra la flamme instable et pourrait éteindre le brûleur. La flamme erratique pourrait causer une suie noire excessive. Ces situations sont nuisibles plutôt que des problèmes de sécurité.

Les lieux d'installation typiques sont notamment les terrasses couvertes, vérandas avec moustiquaire, kiosques de jardin ou murs extérieurs de maison.

- Aire de véranda minimum – 96 pi² (8,9 m²)
- Hauteur minimale de plafond – 48 po (1219 mm)

Les lampes à DEL ont besoin d'une prise avec disjoncteur de terre de 120 volts sur le côté valve du foyer. La prise avec disjoncteur de terre doit être installée à l'extérieur du foyer. Une boîte de jonction est livrée à l'intérieur du foyer afin d'offrir un emplacement pour brancher les DEL.

Exigences concernant l'emplacement du foyer d'extérieur

Ne pas installer le foyer tant que toutes les mesures n'ont pas été prises à l'égard de l'air de combustion et de ventilation. Veuillez lire les directives écrites livrées avec le foyer pour obtenir des informations concernant l'air de combustion et de ventilation. Faut de directives, veuillez consulter le code national en matière de gaz combustible, ANSI Z223.1/NFPA54, air pour combustion et ventilation ou les codes locaux en vigueur.

L'installation dans un boîtier partiel doit être conforme à l'une des conditions suivantes :

- Avec des parois sur tous les côtés, mais aucune couverture sur le dessus. **Voir Figure 6.**

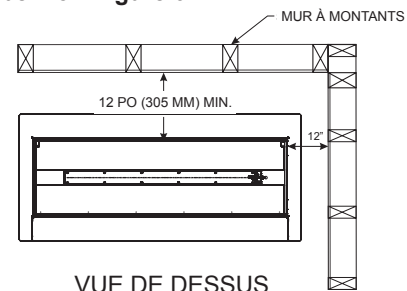


Figure 6

- Avec un boîtier partiel qui comprend un couvert aérien, mais pas plus de deux parois latérales. Ces parois latérales peuvent être parallèles, comme dans un passage couvert. **Voir Figures 7 et 8.**

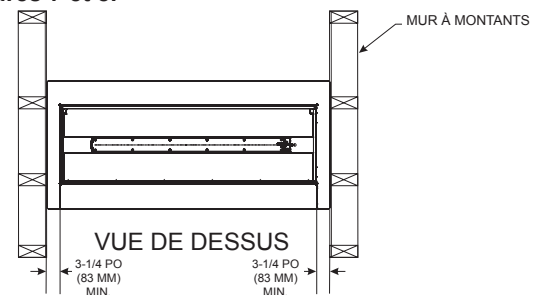


Figure 7

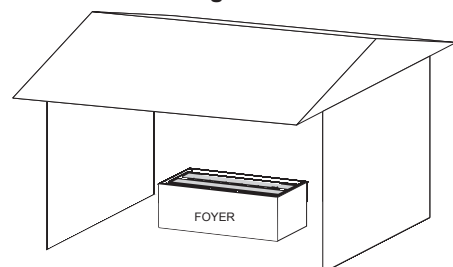


Figure 8

PLANIFICATION DE L'INSTALLATION (SUITE)

L'installation dans une enceinte partielle comprenant un couvercle sur le dessus et trois parois latérales est permise, pourvu que 30 pour cent ou plus de la périphérie horizontale (périmètre des murs et du côté ouvert) de l'enceinte soit ouverte en permanence. Voir Figures 9, 10 et 11.

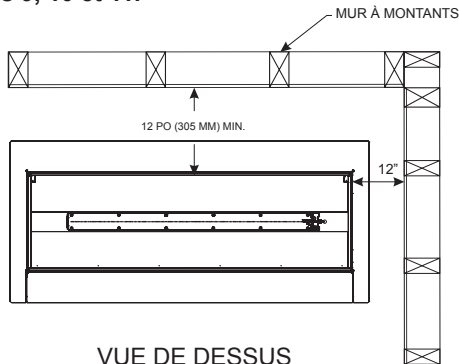


Figure 9

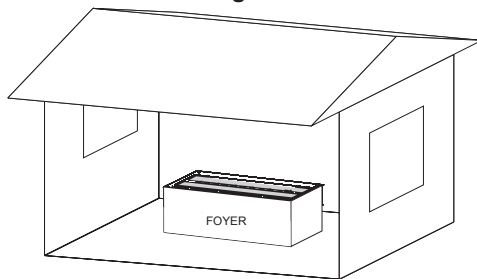


Figure 10

Pour l'installation sur une véranda avec moustiquaires, l'espace ouvert doit être augmenté de 30 pour cent (ouverture ajustée = 30 % / % de la superficie ouverte des moustiquaires). Par exemple, si la moustiquaire a une superficie ouverte de 66 %, l'espace minimum ouvert du bâtiment doit être de 46 % du périmètre. Si une véranda à moustiquaires a deux murs latéraux de 16 pi (4,9 m), un mur de la maison de 20 pi (6 m) et un côté ouvert de 20 pi (6 m), le périmètre total est de 72 pi (22 m). Il faut alors avoir 33 pi (10 m) du périmètre ouvert ($72 \text{ pi } [22 \text{ m}] \times 46 \% = 33 \text{ pi } [10 \text{ m}]$).

(Contacter le fabricant ou le marchand de la moustiquaire pour connaître la superficie ouverte).

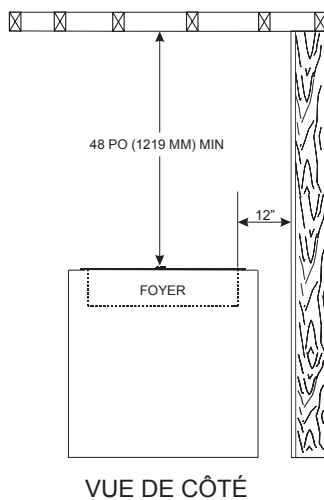


Figure 11

ATTENTION

Avis de non-responsabilité concernant les soffites, plafonds et avant-toits en vinyle. Les dégagements indiqués sont pour des matériaux résistants à la chaleur (c.-à-d. le bois ou le métal). Cela ne comprend pas le vinyle. Empire Comfort Systems Inc. ne sera pas tenue responsable des dommages causés par la chaleur à cause des bouches terminales sous des avant-toits, des plafonds ou des soffites en vinyle ventilés/non ventilés.

AVERTISSEMENT

L'installation, l'ajustement, l'altération, le service ou l'entretien inadéquats pourraient causer des dommages matériels, des blessures, voire même la mort. L'installation et l'entretien doivent être exécutés par un installateur qualifié, une agence de service ou par le fournisseur de gaz.

RACCORDEMENT DE LA CONDUITE DE GAZ

Le foyer OL48TP est conçu pour accepter une conduite de gaz de 3/8 po (9,5 mm) et le foyer OL60TP, une conduite de 1/2 po (13 mm). Faire installer la conduite par une personne qualifiée selon tous les codes en bâtiment. Consulter les codes en bâtiment locaux pour installer une conduite d'alimentation de gaz adéquate pour le raccordement à l'appareil. L'État du Massachusetts prévoit qu'un connecteur de foyer flexible ne doit pas dépasser 3 pi (910 mm) de long. Voir Figure 12.

Un raccordement de conduite flexible aux valves est fourni. Le robinet d'arrêt du gaz (non fourni) doit se trouver à l'extérieur de l'appareil à un endroit accessible.

Vérifier le type de gaz sur la plaque signalétique à l'arrière de la porte des commandes. Si le gaz indiqué sur la plaque signalétique ne correspond pas au gaz alimenté, NE PAS INSTALLER. S'informer auprès du fournisseur pour un modèle qui convient ou d'une trousse de conversion.

Toujours utiliser un régulateur externe pour tous les foyers au Gaz Propane afin de réduire la pression au réservoir à un maximum de 11 po CE (2,74 kPa).

AVERTISSEMENT

Un raccordement direct à un réservoir Propane Gaz non régulé peut causer une explosion.

AVERTISSEMENT

Risque d'incendie, d'explosion ou d'asphyxie. Veiller à ce qu'il n'y ait pas de flamme ni d'étincelle pouvant allumer à proximité de l'installation. Ceci comprend des cigarettes ou des téléphones cellulaires.

Faire un test d'étanchéité de tous les raccordements avec une solution d'eau et de savon. Une formation de bulles indique une fuite. Faire attention pour éviter les brûlures.

PLANIFICATION DE L'INSTALLATION (SUITE)

MATÉRIAUX COMBUSTIBLES

Ne jamais poser ni accrocher de cartes de vœux, bas ou ornements de quelque nature que ce soit au-dessus du foyer. Ceci est un appareil à flamme nue. Le flux de chaleur et les flammes peuvent enflammer ces matières combustibles.

Aucun matériau de parement en vinyle ne doit être à moins de 24 po (610 mm) de la zone en verre pilé du foyer.

DÉGAGEMENTS

Dégagement minimum du plafond

Dégagement du plafond : La hauteur du plafond ne devrait pas être inférieure à 48 po (1219 mm) du dessus du foyer.

Dégagement du mur arrière

Le dégagement entre le bord du lit de verre pilé du foyer et tout type de mur combustible ne peut être inférieur à 12 po (305 mm).

Dégagement des murs latéraux

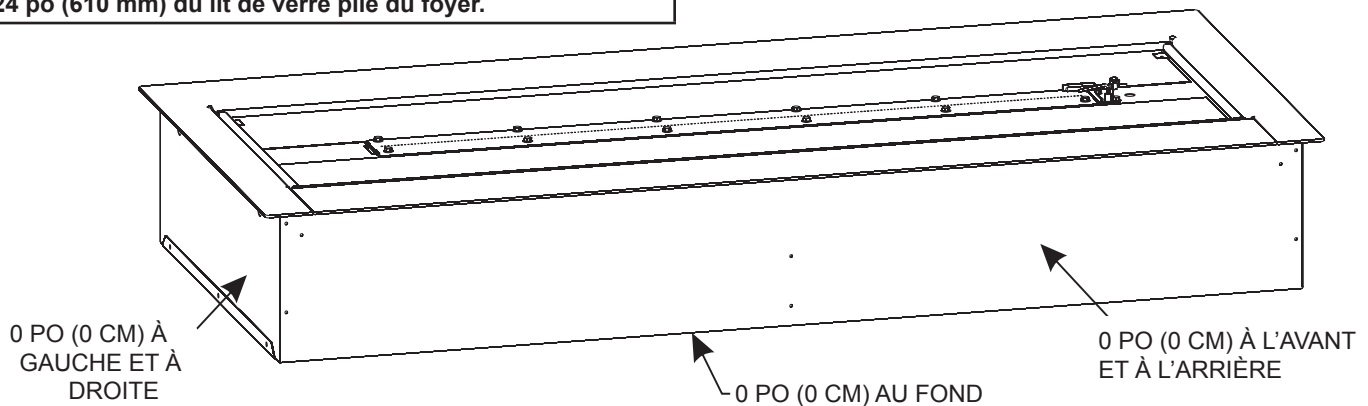
Le dégagement entre le bord du lit de verre pilé du foyer et tout type de mur combustible ne peut être inférieur à 3-1/4 po (83 mm).

AVIS : Pour l'installation avec un mur arrière et un mur latéral, consulter les **Figures 6 et 9**.

AVIS : Pour d'autres dégagements des murs et du plafond en matériaux combustibles, consulter les pages 9 et 10.

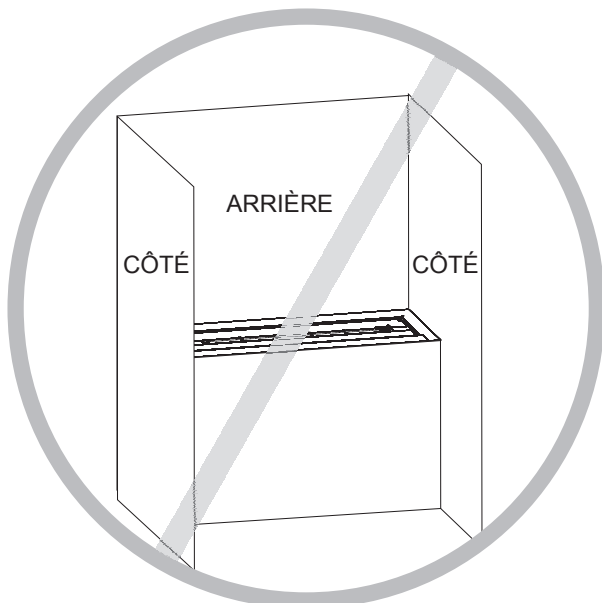
⚠ ATTENTION

Le parement en vinyle ne doit pas être installé à moins de 24 po (610 mm) du lit de verre pilé du foyer.



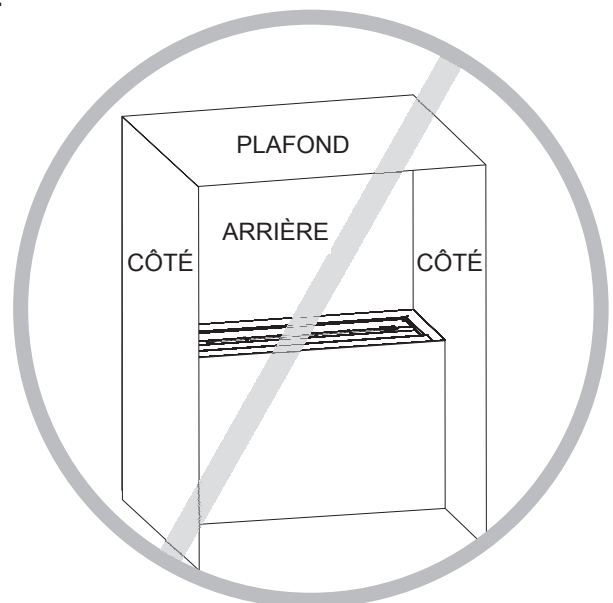
EXIGENCES EN MATIÈRE DE DÉGAGEMENT DES COMBUSTIBLES

Figure 12



L'installation dans une alcôve à trois murs est interdite.

Figure 13



L'installation dans une alcôve à trois murs et un plafond est interdite.

Figure 14

PLANIFICATION DE L'INSTALLATION (SUITE)

MODÈLE	RACCORDEMENT DE LA CONDUITE DE GAZ FLEXIBLE
OL48TP	Utiliser un raccordement évasé mâle de 3/8 po (9,5 mm)
OL60TP	Utiliser un raccordement évasé mâle de 1/2 po (13 mm)

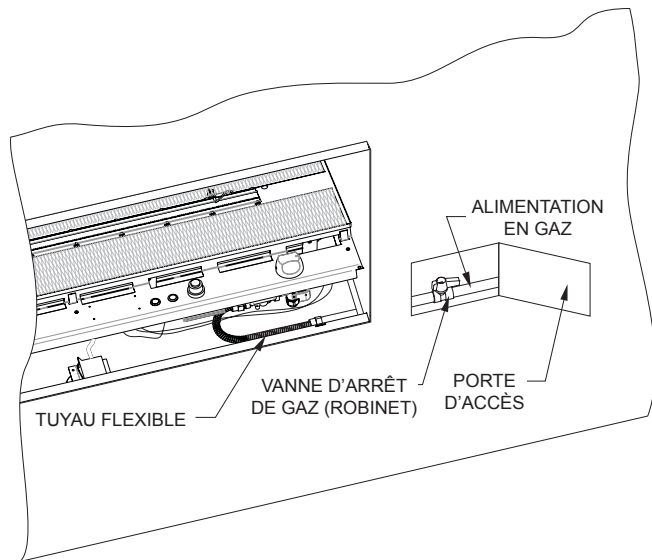


FIGURE 15

EXIGENCE EN MATIÈRE D'ÉCOULEMENT D'EAU

Il faut prévoir d'éloigner de l'appareil tout écoulement d'eau. Il est possible d'acheter chez votre détaillant Empire un bac d'écoulement en option qui s'installe sous le foyer. Si un bac d'écoulement en option est utilisé, il faut l'installer avant d'installer le foyer. Pour obtenir de plus amples informations, il faut consulter les directives d'installation fournies avec le bac d'écoulement. Si ce drain n'est pas utilisé, il faut prévoir une autre manière d'écouler l'eau de la base du foyer fabriquée sur mesure. Voir la Figure 3 pour l'emplacement du trou d'écoulement.

CONSIDÉRATIONS EN MATIÈRE D'ÉLECTRICITÉ (MODÈLES À ÉCLAIRAGE À DEL SEULEMENT)

Une boîte de jonction est posée à l'usine sur le côté inférieur droit du foyer. La boîte de jonction et le câblage peuvent être installés de l'autre côté du foyer si désiré. Le câblage à la boîte de jonction doit avoir une gaine métallique ou être dans un conduit approuvé pour une utilisation extérieure. Connecter le câblage à une prise avec disjoncteur à la terre externe installée à proximité du foyer. Pour plus d'information, se reporter à la section sur l'alimentation électrique aux pages 13 et 24.

INSTALLATION DU FOYER

ALIMENTATION ÉLECTRIQUE

FOYERS AVEC ÉCLAIRAGE À DEL SEULEMENT

⚠ ATTENTION

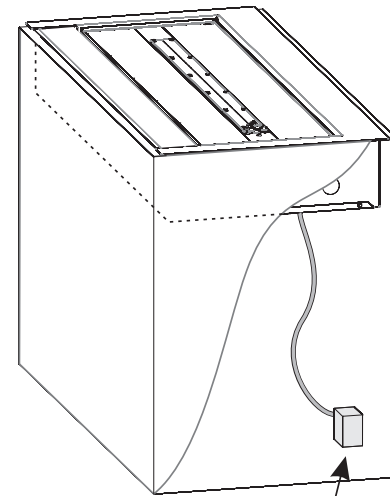
Tout le câblage doit être effectué par un électricien qualifié et être conforme à tous les codes du bâtiment locaux, municipaux et provinciaux en vigueur. Avant d'effectuer le raccordement électrique, s'assurer que l'alimentation électrique principale est débranchée. Lors de son installation, le foyer doit être électriquement mis à la terre en conformité avec la réglementation locale ou, en l'absence de réglementation locale, avec le code électrique national, ANSI/NFPA 70, si une source électrique externe est utilisée.

Le câblage à la boîte de jonction doit avoir une gaine métallique ou être dans un conduit approuvé pour une utilisation extérieure. Un connecteur pour boîte de jonction permettant de loger un conduit de 1/2 po (13 mm) est fourni dans l'enveloppe des directives. La prise du foyer doit être raccordée à une prise à disjoncteur à la terre externe installée à proximité du foyer. **Voir Figure 16.**

Acheminer le câblage de la prise avec disjoncteur à la terre externe dans le conduit à la boîte de jonction. Laisser environ 6 po (150 mm) de fil dans la boîte de jonction pour le raccordement.

Récupérer la prise et le couvercle dans l'enveloppe des directives. Fixer le câble noir à la vis dorée et le câble blanc à la vis argentée de la prise. Le fil de terre doit être fixé à la vis verte de mise à la terre sur la boîte de jonction et la prise. **Voir Figure 17.**

Mettre la prise en place et fixer la plaque de couverture. S'assurer que les portes de la plaque de couverture s'ouvrent vers le haut. Veiller à tester la prise pour s'assurer que le circuit de mise à la terre fonctionne correctement. Brancher le cordon d'alimentation du transformateur à la prise et fermer la porte de la prise inutilisée. **Voir Figure 17.**



DISJONCTEUR À LA TERRE

Figure 16

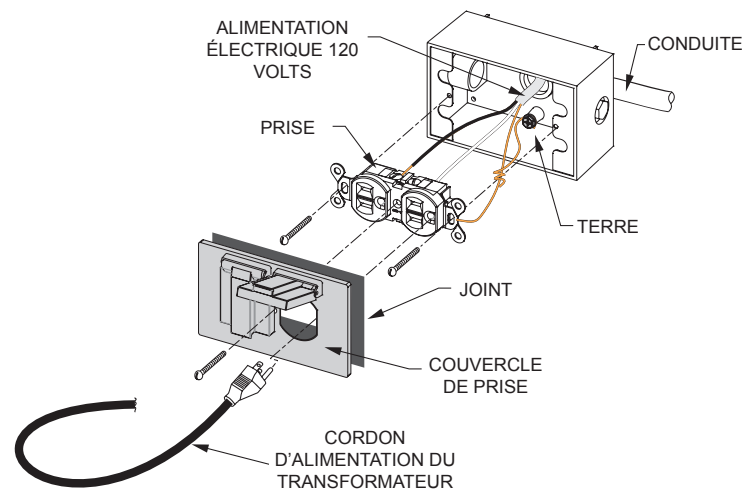


Figure 17

PLANIFICATION DE L'INSTALLATION (SUITE)

ALIMENTATION EN GAZ

- Ne pas brûler de combustibles solides dans ce foyer.
- La pression d'alimentation en gaz maximum est de 11 po (279 mm) pour le Gaz Propane et 7 po (178 mm) pour le Gaz Naturel.
- Pour les foyers pour système de tuyauterie de combustible fixe et équipés d'un régulateur de pression à gaz pour foyer, la pression d'admission en po/mm de colonne d'eau est de : 11 po (279 mm) pour le Gaz Propane et 4,5 po (114 mm) Natural.
- Pour les foyers à système de tuyauterie de combustible fixe équipés d'un régulateur de pression à gaz pour foyer, l'appareil et ses valves de sectionnement individuels doivent être déconnectés du système d'alimentation en gaz lors de tout test de pression de ce système à des pressions supérieures à 1/2 lb/po² (3,5 kPa).
Le foyer doit être isolé du circuit d'arrivée de gaz par la fermeture de sa vanne d'arrêt individuelle durant tout essai de pression du circuit d'alimentation en gaz à des pressions d'essai égales ou inférieures à 1/2 lb/po² (3,5 kPa).

Consulter les exigences de tous les codes locaux, particulièrement concernant la taille et le type de tuyauterie de gaz requis.

DIAMÈTRE MINIMUM DU TUYAU DE GAZ RECOMMANDÉ				
Longueur de tuyau	Tuyau de Classe 40 Diamètre intérieur		Tube de type L Diamètre extérieur	
	Naturel	Propane	Naturel	Propane
0-10 pi 0 à 3 m	1/2 po 12,7 mm	3/8 po 9,5 mm	1/2 po 12,7 mm	3/8 po 9,5 mm
10 à 40 pi 4 à 12 m	1/2 po 12,7 mm	1/2 po 12,7 mm	5/8 po 15,9 mm	1/2 po 12,7 mm
40 à 100 pi 13 à 30 m	1/2 po 12,7 mm	1/2 po 12,7 mm	3/4 po 19 mm	1/2 po 12,7 mm
100 à 150 pi 31 à 46 m	3/4 po 19 mm	1/2 po 12,7 mm	7/8 po 22,2 mm	3/4 po 19 mm

AVIS : Vérifier si la réglementation locale autorise l'emploi de tuyaux en plastique ou en cuivre pour l'usage extérieur.

AVIS : Certaines municipalités ayant des codes locaux supplémentaires, il est préférable de consulter les autorités et le code d'installation locaux.

Installer un robinet d'arrêt manuel du gaz

Chaque foyer doit avoir un robinet de gaz manuel accessible situé dans le voisinage de l'appareil. Lorsqu'il n'y en a pas ou si sa taille ou son emplacement ne conviennent pas, communiquer avec un installateur agréé pour installer ou déplacer le robinet.

Les pâtes d'étanchéité utilisées sur les raccords filetés de tuyaux de gaz doivent résister à l'action des gaz de pétrole liquéfiés. Les tuyaux de gaz doivent être vérifiés pour les fuites par l'installateur. Utiliser pour cela une solution savonneuse pour observer des bulles éventuelles sur tous les raccordements exposés et effectuer un essai de pression s'il y a des raccords non exposés. Pour éviter des dommages à la tuyauterie de gaz, enlever toute solution de test lorsque le test est terminé.

⚠ AVERTISSEMENT

Ne jamais utiliser de flamme nue pour détecter les fuites. Pour effectuer l'essai de pression, débrancher le foyer de la conduite à l'entrée de la vanne de régulation et poser un bouchon sur la conduite. Ne jamais effectuer d'essai de pression avec l'appareil raccordé, cela endommagerait la vanne de régulation!

Poser une vanne de gaz et un raccord à joint rodé sur la conduite de gaz en amont de la vanne de régulation pour faciliter l'entretien. Il est requis par le Code National Fuel Gas qu'une conduite de collecte soit installée à proximité de l'arrivée de gaz. Il doit s'agir d'un tronçon vertical de conduite posé sur la conduite de gaz et bouchée à la base, servant à collecter la condensation et les matières étrangères.

L'emploi des raccords de gaz suivants est conseillé :

- Connecteurs d'appareils en tubes et raccords en métal ondulé ANSI Z21.24
- Connecteurs d'appareils flexibles assemblés non entièrement métalliques ANSI Z21.45

Les raccords ci-dessus peuvent être utilisés s'ils sont acceptables à l'autorité ayant juridiction. Le Commonwealth du Massachusetts exige qu'un raccord d'appareil flexible ne puisse excéder 3 pi (914 mm) de longueur.

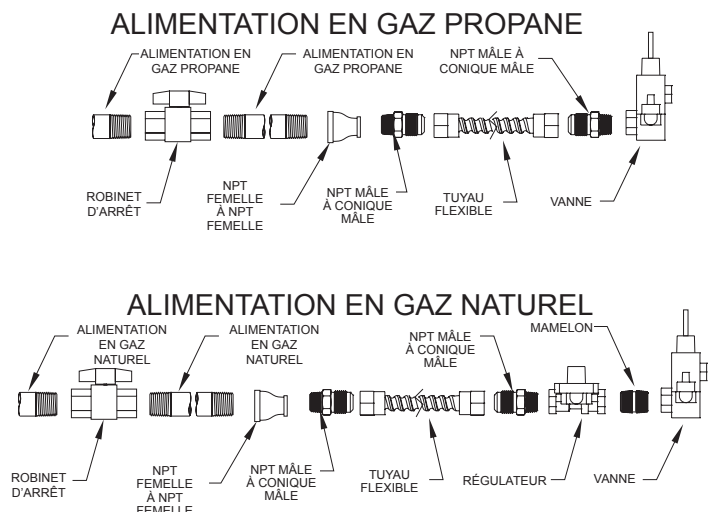


Figure 18

AVIS : Robinet d'arrêt du gaz illustré. Autres valves approuvées pour l'utilisation avec le gaz.

Une conduite flexible à la valve est déjà installée par l'usine. Le raccord évasé est installé desserré pour le transport seulement. Un robinet d'arrêt de gaz manuel accessible doit être installé à l'extérieur du foyer.

PLANIFICATION DE L'INSTALLATION (SUITE)

INFORMATION SUR LA BOMBONNE DE GAZ PROPANE

AVERTISSEMENT

Si ces instructions ne sont pas strictement observées, il y a un risque d'incendie pouvant causer le mort ou des blessures graves.

Spécifications de la bombonne de propane

Ce foyer peut être utilisé avec un système d'alimentation à gaz Gaz Propane indépendant et non jetable :

- Des bombonnes de propane peuvent être acceptables pour une utilisation avec le foyer si elles sont compatibles avec les moyens de rétention du foyer.
- La bombonne d'alimentation en Gaz Propane doit être fabriquée et marquée conformément aux spécifications du *U.S. Department of Transportation (D.O.T.) Specifications for Propane Gas Cylinders ou Standard for Cylinders, Spheres and Tubes for Transportation of Dangerous Goods and Commission, CAN/CSA-B339*, selon le cas.
- Les bombonnes d'alimentation en gaz Gaz Propane de 4 à 40 lb (1,8 à 18 kg) doivent posséder un appareil de prévention de trop-plein.
- La bombonne d'alimentation en gaz Gaz Propane doit posséder un appareil de connexion compatible avec le raccord du foyer.
- Si le foyer est équipé d'un dispositif de connexion de bombonne CGA n° 600, la bombonne doit être déconnectée lorsque le foyer n'est pas utilisé.
- Si le foyer doit être connecté en permanence au système de tuyauterie à gaz à partir d'un réservoir externe, l'installation doit être faite selon les codes locaux ou, dans l'absence de codes locaux, selon les codes de gaz combustible nationaux *ANSI Z223.1/ NFPA 54*.
- Une bombonne bosselée ou rouillée peut comporter un risque et doit être vérifiée par votre fournisseur de propane. Ne jamais utiliser une bombonne dont la valve est endommagée.
- Le foyer OL48TP(10,18)P peut seulement être raccordé à une bombonne de propane de 20 lb (9,1 kg). (Non fournie)
- Ce foyer peut être utilisé avec une bombonne de propane de 20 lb (9,1 kg) ou 30 lb (13,6 kg) (non fournie).
- La bombonne à propane doit être fournie avec une valve d'arrêt terminant dans une valve de bombonne à propane de type QCC1 et un dispositif de sûreté ayant une communication directe avec l'espace vapeur de la bombonne.
- Le système d'alimentation à bombonne doit être arrangé pour le retrait de la vapeur et la bombonne doit inclure un collier pour protéger la valve de la bombonne.
- La bombonne de Gaz Propane doit être fournie avec un dispositif de protection de trop plein (OPD). Ne jamais remplir la bombonne à plus de 80 pour cent.
- Ne pas remiser de bombonne de Gaz Propane de réserve sous le foyer ni près de celui-ci.
- Utiliser un régulateur de pression et un tuyau qui fournissent une pression de 11 po CE (2,74 kPa) à un foyer et pourvus d'un raccord de type QCC1.
- Les bombonnes qui sont utilisées avec cet appareil doivent être dotées d'une valve de bombonne QCC1. Une bombonne QCC1 est pourvue d'un siège de raccordement efficace qui ne permet pas le débit de gaz

tant qu'il n'est pas fermé de manière étanche. Elle est aussi équipée d'un limiteur de débit. Afin d'obtenir un débit plein au foyer, la valve doit être fermée lorsque la valve de la bombonne est ouverte.

AVERTISSEMENT

Un incendie peut survenir si le tuyau d'alimentation en gaz fait contact avec le dessous du foyer.

Gaz Propane

Attacher la ferrure de retenue de bombonne (non fournie) à la base de la bombonne. Ensuite, fixer à la surface sur laquelle elle s'assoit. La bombonne doit être sur une surface de niveau.

Ferrure de retenue de bombonne

1. Fixer la ferrure au bas de la bombonne de propane en utilisant des boulons et écrous (non fournis).
2. Serrer le tire-fond dans la surface de montage en laissant environ 1/4 po (6 mm) de filet au-dessus de la surface.
3. Glisser la bombonne de propane en place afin que la ferrure glisse sous la tête du tire-fond.
4. Serrer le tire-fond dans la ferrure.
5. Pour fixer à une surface de béton, il faut utiliser une ancre à béton. (Non fournie)

Raccordement de la bombonne : S'assurer que le tuyau du régulateur de gaz n'est pas plié. Retirer le bouchon de la valve de carburant de la bombonne. Insérer le mamelon du régulateur QCC1 noir dans la valve de carburant QCC1. Serrer à la main dans le sens horaire. Ne pas utiliser d'outils. Faire un test d'étanchéité de tous les joints avant d'utiliser le foyer. Un test d'étanchéité doit être exécuté chaque année et chaque fois qu'une bombonne est raccordée ou si une pièce du système de gaz est remplacée. Si ce foyer est raccordé directement à la conduite d'alimentation en gaz propane du domicile, veuillez suivre les directives pour le raccordement au gaz naturel.

Considérations en matière de sécurité

- S'assurer que la valve de la bombonne est bien fermée. (Tourner dans le sens horaire pour l'arrêter).
- Vérifier les caractéristiques de la valve de la bombonne afin de s'assurer que le filetage externe convient. (Valve de bombonne marquée : UTILISER AVEC TYPE 1)
- Inspecter l'état du tuyau. Ne jamais tenter d'utiliser un équipement endommagé ou bouché. Consulter un détaillant en Gaz Propane local pour effectuer les réparations.
- Lors du raccordement du régulateur à la valve de la bombonne, serrer à la main dans le sens horaire l'écrou noir QCC1 jusqu'à l'arrêt complet. NE PAS utiliser une clé pour serrer. Utiliser une clé pourrait endommager l'écrou d'accouplement à fermeture rapide et produire une condition dangereuse.
- Placer le tuyau hors des chemins où il risque de faire trébucher les gens ou à des endroits où il pourrait subir des dommages accidentels.
- Ouvrir complètement la valve de la bombonne dans le sens antihoraire. Tourner lentement le robinet d'arrêt sur l'appareil jusqu'à la position ouverte et puis utiliser une solution d'eau savonneuse pour vérifier que tous les raccords sont étanches, comme indiqué sur les schémas, avant de tenter d'allumer le foyer. En cas de fuite, fermer la valve du réservoir et ne pas utiliser le foyer tant que la réparation n'est pas faite.

PLANIFICATION DE L'INSTALLATION (SUITE)

INFORMATION SUR LA BOMBONNE DE GAZ PROPANE

Enceintes pour systèmes d'alimentation en Gaz Propane

Les enceintes des bombonnes d'alimentation en gaz Gaz Propane devront être ventilées par des ouvertures au niveau de la soupape de la bombonne et au niveau du plancher. L'efficacité des ouvertures aux fins de ventilation devra être déterminée avec les bombonnes d'alimentation en Gaz Propane sur place. Ceci sera accompli d'une des manières suivantes :

- Un côté de l'enceinte sera complètement ouvert; ou
 - pour une enceinte à quatre côtés, un couvercle et un fond :
 - Au moins deux ouvertures de ventilation au niveau de la soupape de la bombonne devront être pratiquées dans la paroi latérale, de même taille, espacées à 180 degrés (3,14 rad) et sans obstruction. Chaque ouverture possèdera une superficie libre d'au moins de 1/2 po² par lb (7,1 cm²/kg) de capacité du réservoir de carburant et pas moins qu'une superficie libre totale de 10 po² (64,5 cm²).
 - Des ouvertures de ventilation doivent être pratiquées au niveau du plancher et posséder une superficie libre supérieure à 1/2 po² par lb (3,2 cm²/kg) de capacité du réservoir de carburant et pas moins qu'une superficie libre totale de 10 po² (64,5 cm²). Si les ouvertures de ventilation sont dans une paroi latérale, il faut au moins deux ouvertures. Le dessous des ouvertures sera à pas plus de 5 po (127 mm) du plancher et sur le bord supérieur. Les ouvertures seront de même taille, espacées à 180 degrés (3,14 rad) et sans obstructions.
 - Chaque ouverture aura des dimensions minimums permettant l'entrée d'une barre de 1/8 po (3,2 mm) de diamètre.
 - Il doit avoir un dégagement d'au moins de 2 po (51 mm) entre la surface inférieure du plancher de l'enceinte de la bombonne d'alimentation de gaz Gaz Propane et le sol.
- Les soupapes de la bombonne devront être facilement accessibles pour l'opération à main. Une porte à l'ouverture placée pour accéder aux soupapes des bombonnes est acceptable, à condition qu'elle ne se verrouille pas et puisse être ouverte sans avoir besoin d'outils.
 - La conception du foyer doit être de façon à ce que (1) les bombonnes d'alimentation en Gaz Propane puissent être connectées et déconnectées, et que les raccords puissent être inspectés et testés à l'extérieur de l'enceinte de la bombonne; et (2) ces raccords qui pourraient être perturbés lors de l'installation des bombonnes dans l'enceinte peuvent être testés pour les fuites à l'intérieur de l'enceinte.
 - Les ouvertures de ventilation dans les parois ne doivent pas communiquer directement avec d'autres enceintes du foyer.

L'enceinte de la bombonne de Gaz Propane doit isoler la bombonne du compartiment du brûleur pour fournir :

- une protection contre le rayonnement thermique;
- une barrière contre les flammes; et
- une protection contre les matières étrangères.

Veiller à monter la bombonne de Gaz Propane sur une surface plane et de la retenir à l'aide de la ferrure de retenue de bombonne afin de l'empêcher de basculer.

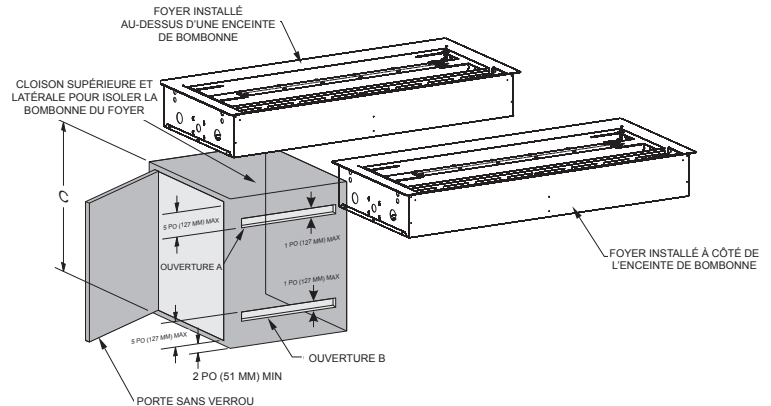


Figure 19

Taille du bombonne	Ouverture Zone A	Ouverture Zone B	Dimension recommandée C
20 lb (9,1 kg)	20 po ² (130 cm ²)	10 po ² (65 cm ²)	34 po (863 mm)
30 lb (13,6 kg)	30 po ² (195 cm ²)	15 po ² (100 cm ²)	34 po (863 mm)

REMARQUE : Il doit avoir un dégagement d'au moins de 2 po (51 mm) entre la surface inférieure du plancher de l'enceinte de la bombonne d'alimentation de gaz Gaz Propane et le sol.

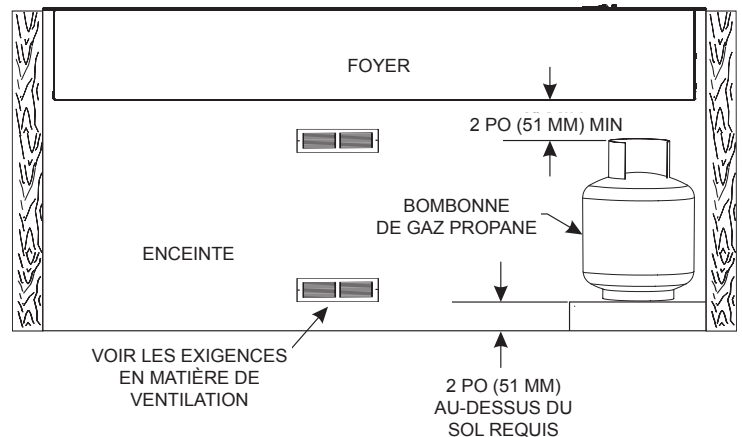


Figure 20

PLANIFICATION DE L'INSTALLATION (SUITE)

EXIGENCES CONCERNANT L'ENCEINTE DU FOYER

DÉBALLAGE DU FOYER

⚠ ATTENTION

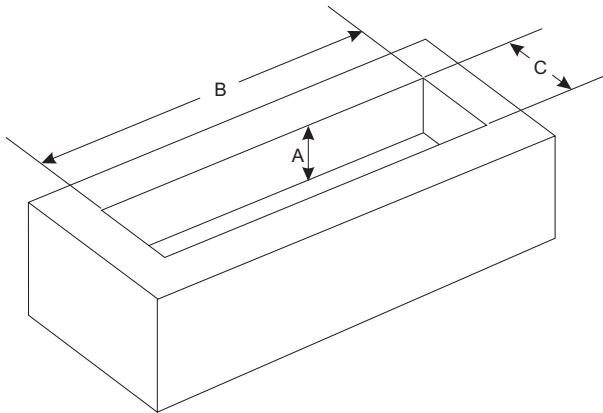
Lors du déballage du foyer, porter des gants afin de se protéger des arêtes tranchantes.

Le contenu de la boîte comprend le foyer, l'enveloppe d'instructions, le paquet de quincaillerie et deux béquilles situées sous le foyer pour le transport seulement.

CONSTRUCTION DE L'ENCEINTE

Le foyer exige une enceinte construite sur mesure afin de le supporter. Des matériaux combustibles ou non combustibles peuvent être utilisés. Les dimensions minimales de l'enceinte sont fournies. Voir Figure 21. Les Figures 22 et 23 donnent une idée rudimentaire de la construction de l'enceinte.

AVIS : Mesurer les dimensions du foyer et confirmer les méthodes de construction et de support avant d'entreprendre la construction de l'enceinte.



	OL48TP		OL60TP	
	Dimensions internes de l'enceinte en pouces (mm)			
Hauteur A	*7-1/2 po (191 mm) min.		*7-1/2 po (191 mm) min.	
Largeur B	51-3/4 po (1314 mm) min.	52-1/2 po (1334 mm) max.	63-3/4 po (1619 mm) min.	64-1/2 po (1638 mm) max.
	22-5/8 po (575 mm) min.	23-1/2 po (597 mm) max.	22-5/8 po (575 mm) min.	23-1/2 po (597 mm) max.

*AVIS : La hauteur devra être augmentée si le bac d'écoulement est installé.

Figure 21 – Dimensions internes de l'enceinte

Avant de terminer l'enceinte et d'installer le foyer, fournir un chemin pour l'écoulement d'eau du foyer.

Déterminer si le bac d'écoulement en option sera utilisé. Si le bac d'écoulement est installé, suivre les directives fournies avec ce dernier pour l'installer à cette étape.

INSTALLATION

1. Choisir un emplacement pour l'installation.
2. Construire l'enceinte. **Se reporter aux Figures 21, 22 et 23** pour des options typiques de construction.
3. Fournir l'alimentation électrique si des DEL sont prévues.
4. Fournir les raccords pour l'alimentation en gaz ou le rangement d'un réservoir de Gaz Propane.
5. Si l'installation comprend le remisage du réservoir de Gaz Propane sous le foyer, utiliser l'ensemble de ventilation BRB en option ou se reporter aux exigences pour le remisage de la bombonne de Gaz Propane aux pages 15 et 16. **Voir Figure 19.**

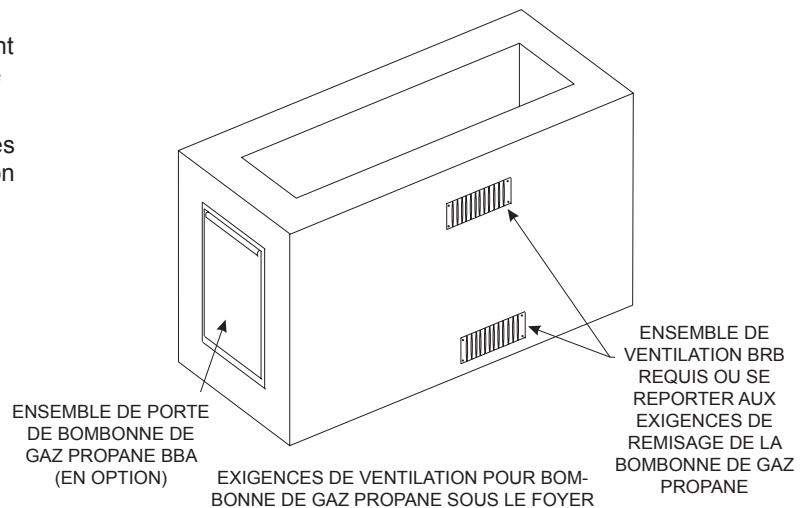


Figure 22

6. La photo ci-dessous montre une installation typique de foyer à des fins de référence seulement. **Voir Figure 23.**



Figure 23

PLANIFICATION DE L'INSTALLATION (SUITE)

EXIGENCES CONCERNANT L'ENCEINTE DU FOYER

7. Pour raccorder la conduite de gaz et installer la connexion électrique, le brûleur doit être incliné vers le haut du foyer.
 - a. Retirer la porte de commande en ouvrant la porte et en la soulevant vers le haut pour dégager les fentes sur les extrémités de la porte dans les boulons d'articulation.
 - b. Enlever les (4) garnitures (n° de repère 31 et 32, illustrées à la page 29) simplement en les soulevant du bac du brûleur.
 - c. Retirer les deux boulons de la porte de commande à l'aide d'une clé Allen de 1/8 po. **Voir Figure 24.**

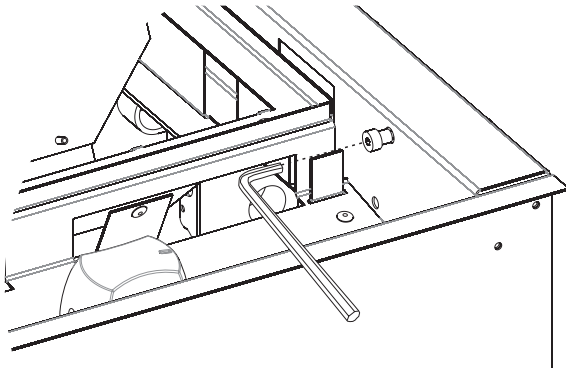
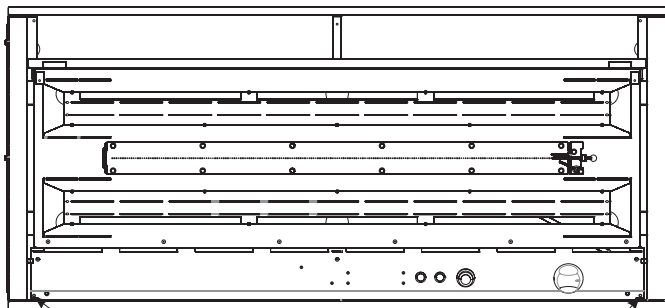


Figure 24

- d. En portant des gants, retirer les deux grillages métalliques du couvercle de brûleur étirés du bac de brûleur et les mettre de côté.
 - e. Retirer les deux vis des coins avant du panneau de commande avec un tournevis à tête hexagonale de 5/16 po. **Voir Figure 25.**



DÉPOSER LES
(2) VIS À TÊTE
HEXAGONALE

Figure 25

- f. Soulever le devant de l'ensemble du brûleur et le basculer vers le haut et l'arrière du foyer. Récupérer les deux béquilles et les placer de chaque côté dans les coins avant du boîtier et sous les coins avant du panneau de commande. **Voir Figure 26.**

AVIS : Être prudent en soulevant le brûleur pour éviter d'égratigner l'intérieur en acier inoxydable du foyer.

AVIS : Les béquilles sont situées sous le foyer *pour le transport seulement.*

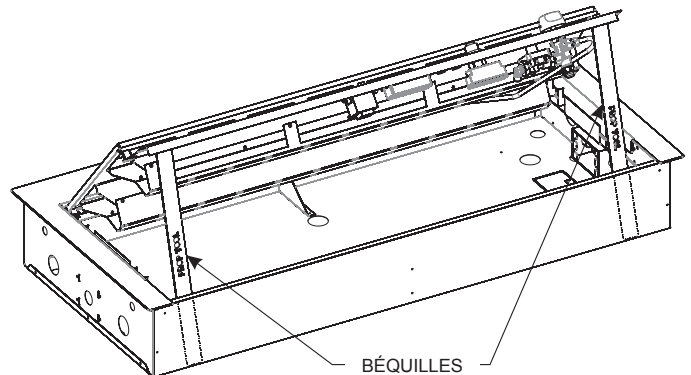


Figure 26

8. Raccorder les alimentations en gaz et électrique au foyer. Se reporter à la page 14 pour les exigences en matière d'alimentation en gaz. Vous reporter à la page 13 pour les exigences en matière d'alimentation en gaz. Pour les modèles à DEL, s'assurer de brancher le cordon du transformateur dans la prise de la boîte de jonction. **Voir Figure 17.** Pour faciliter l'installation, les alimentations en gaz et en électricité se trouvent sur le côté valve du foyer. Les deux peuvent être repositionnées de l'autre côté du foyer.
9. Enlever la pellicule protectrice en plastique du dessus extérieur, de la porte de commande et des garnitures du foyer.

PLANIFICATION DE L'INSTALLATION (SUITE)

FINITION

1. Une fois le gaz et l'électricité raccordés, abaisser l'ensemble du brûleur et le fixer (laisser les deux béquilles au fond du foyer pour usage futur) avec les deux vis retirées à la **Figure 25**.
2. Installer les (4) garnitures. Placer les deux garnitures courtes en premier et poser les garnitures longues avant et arrière ensuite. Les garnitures longues s'emboîtent dans les extrémités des garnitures latérales. **Voir Figure 27a**.

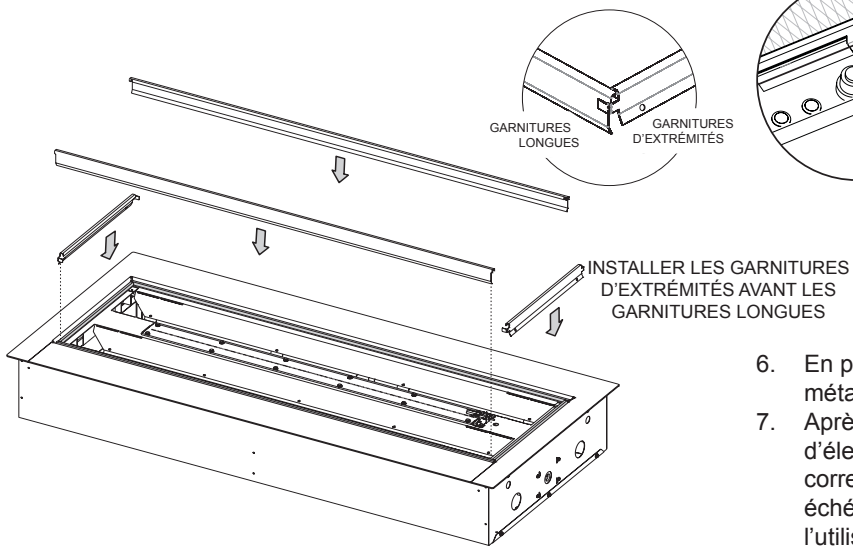


Figure 27a

3. Si l'ensemble de pare-vent en verre en option est installé, ne pas installer les garnitures à l'étape 2. Se reporter à la **Figure 27b** pour l'installation de l'ensemble pare-vent en option.

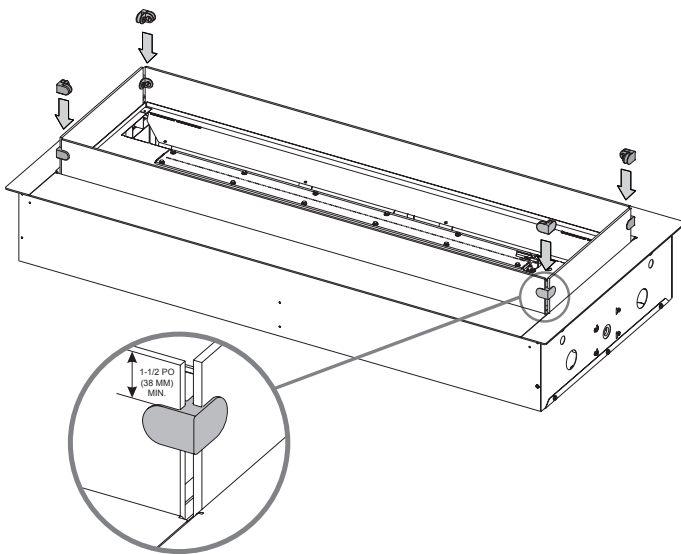


Figure 27b

4. Réinstaller les boulons de pivot déposés à la **Figure 24** et reposer la porte de commande.

5. Dévisser le bouton d'allumage et installer la pile AA fournie dans l'enveloppe d'instruction avant de fermer la porte de contrôle. (Noter la polarité de la pile.) **Voir Figure 28**.

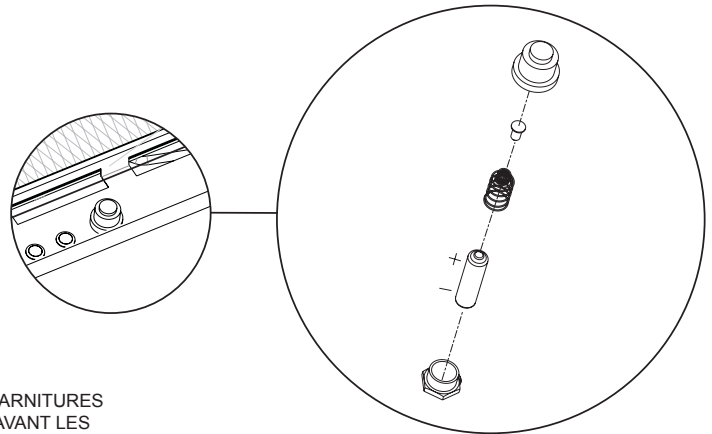


Figure 28

6. En portant des gants, remettre en place les deux grillages métalliques étirés retirés à l'étape 7.
7. Après avoir terminé tous les raccordements de gaz et d'électricité (le cas échéant), vérifier que le brûleur s'allume correctement et que l'éclairage à DEL fonctionne (le cas échéant). Se reporter aux instructions sur l'éclairage et l'utilisation aux pages 21 et 23.

PLANIFICATION DE L'INSTALLATION (SUITE)

FINITION

Installation du verre pilé

S'assurer que les grilles sur le brûleur sont bien installées, qu'elles couvrent entièrement les ouvertures DEL. Placer le verre pilé décoratif uniformément sur les brûleurs et les grilles (en quantité suffisante pour recouvrir environ 7 pi² [0,65 m²] pour l'OL48TP ou 8 pi² [0,74 m²] pour l'OL60TP). (Vous reporter à la page 6 pour les exigences particulières.) S'assurer que la couverture est uniforme et pas plus épaisse à certains endroits.

AVIS : Une quantité excessive de verre pilé placée sur le brûleur, l'électrode ou la thermopile peut causer divers problèmes, incluant le retardement de l'allumage ou la production de suie.

Certains morceaux de verre brisé peuvent être plus grands que d'autres. Ces morceaux peuvent être utilisés, mais pas sur le brûleur ni autour de la flamme. **Voir Figure 29.** On peut ajouter des gouttelettes de verre décoratif pour enjoliver, mais elles ne doivent pas être ajoutées près du brûleur ni sur ce dernier. **Voir Figure 30.** Ni le verre ni les gouttelettes ne doivent être placés sur l'électrode. (Vous reporter à la page 6 pour les exigences particulières des accessoires.)

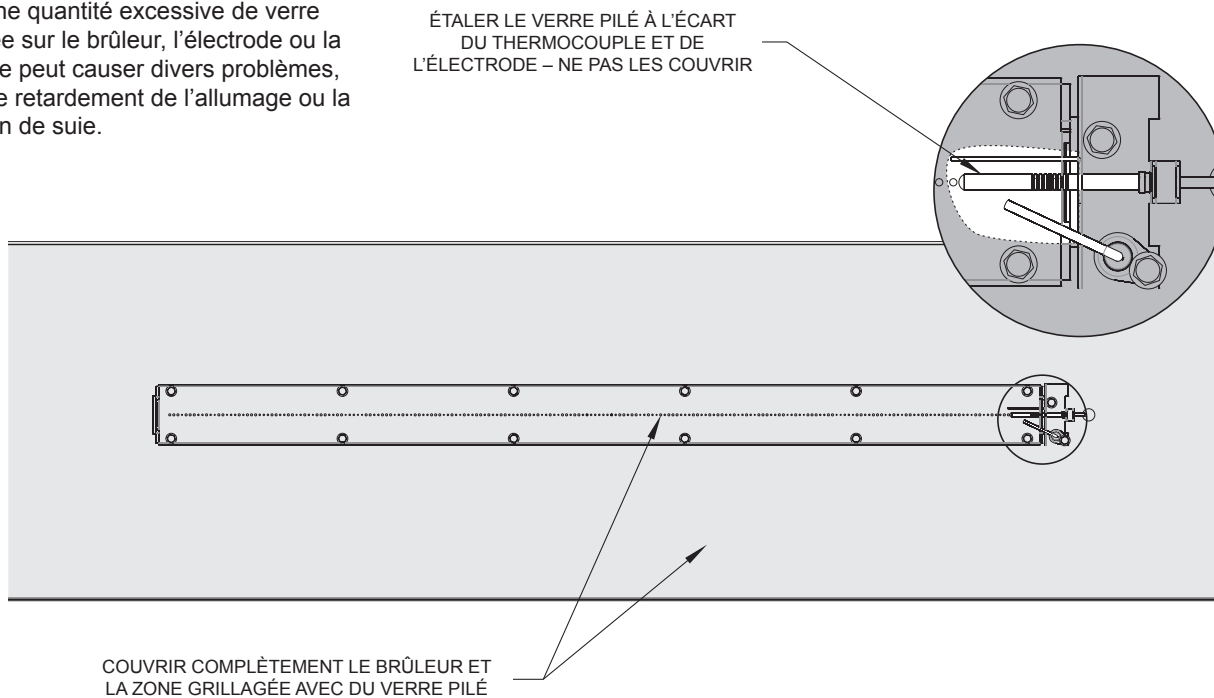
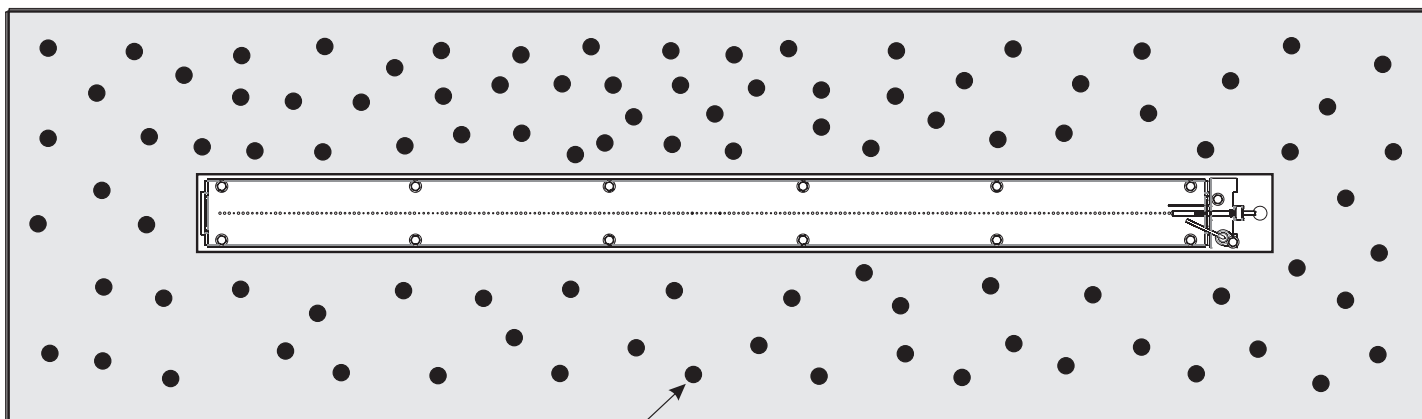


Figure 29



SI DÉSIRÉ DES GOUTTELETTES DE VERRE PEUVENT ÊTRE AJOUTÉES À LA ZONE ILLUSTRÉE – NE PAS EN PLACER SUR LE BRÛLEUR

Figure 30

INSTRUCTIONS D'ALLUMAGE

POUR VOTRE SÉCURITÉ, LIRE AVANT D'ALLUMER

⚠ AVERTISSEMENT

Si ces instructions ne sont pas respectées à la lettre, il peut se produire un incendie ou une explosion causant des dégâts matériels, des lésions corporelles ou la perte de vie humaine.

- A. **AVANT D'ALLUMER**, renifler autour de l'appareil pour déceler toute odeur de gaz. Veiller à bien vérifier au niveau du sol, car certains gaz sont plus lourds que l'air et s'accumulent au niveau du sol.
- QUE FAIRE EN CAS D'ODEUR DE GAZ**
- Ne pas tenter d'allumer un appareil, quel qu'il soit.
 - Ne toucher aucun interrupteur électrique.
 - N'utiliser aucun téléphone dans le bâtiment.
 - Téléphoner immédiatement au fournisseur de gaz depuis une maison voisine. Suivre les instructions du fournisseur de gaz. Si le fournisseur de gaz ne répond pas, appeler les pompiers.
- B. Enfoncer ou tourner le bouton de commande de gaz à la main seulement. Ne jamais utiliser d'outil. Si le bouton ne s'enfonce ou ne tourne pas à la main, ne pas tenter de le réparer; appeler un technicien d'entretien qualifié. L'utilisation de force ou les tentatives de réparation peuvent entraîner un incendie ou une explosion.
- C. **NE PAS** utiliser l'appareil si une quelconque partie a été immergée dans l'eau. Appeler immédiatement un technicien d'entretien qualifié pour inspecter l'appareil et remplacer toute pièce du système de commande et toute commande de gaz ayant été immergées.

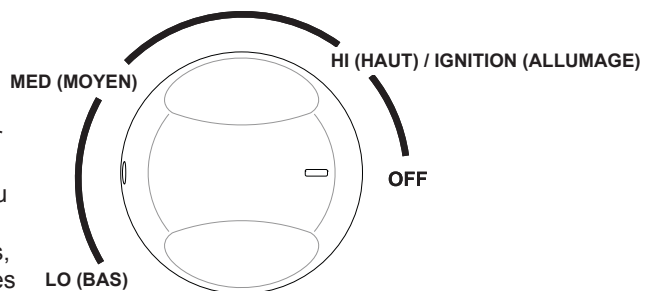
INSTRUCTIONS D'ALLUMAGE

Ce foyer est destiné à une utilisation extérieure seulement. Prière de lire toutes les directives avant de l'allumer. Toute housse contre les intempéries doit être retirée avant de l'utiliser.

Retirer tout débris, dont les feuilles et les insectes, autour du brûleur et du lit de verre pilé.


1. Avant d'ouvrir l'alimentation de gaz principale, appuyer sur le bouton d'allumage. Vérifier que l'allumeur fait des étincelles au-dessus du brûleur entre l'électrode et le thermocouple.
2. Ouvrir l'alimentation de gaz principale au foyer.
3. Avec le bouton de commande du gaz en position fermée, appuyer et tenir l'allumeur. Appuyer légèrement et tourner le bouton de gaz jusqu'à la position HI/IGNITION (HAUT/ ALLUMAGE). Appuyer et tenir le bouton de commande du gaz.
Si le brûleur n'a pas réussi à allumer dans les 5 secondes, fermer le bouton de commande de gaz. Attendre 5 minutes que le gaz se dissipe avant de tenter le rallumage.

4. Une fois que le brûleur est allumé, relâcher le bouton d'allumage, mais continuer à appuyer sur le bouton de commande du gaz pendant 30 secondes. (Cela permet au thermocouple [détecteur de flamme] de se réchauffer, confirmant que le foyer fonctionne.)
Si la flamme s'éteint, fermer le bouton, attendre 5 minutes, répéter la séquence d'allumage en commençant à l'étape 3.

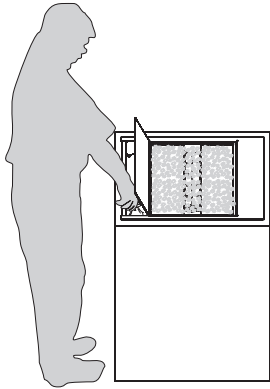


Bouton de commande du gaz à la position d'arrêt (OFF)

POUR COUPER LE GAZ DE L'APPAREIL

1. Ouvrir la porte de commande.
2. Enfoncer légèrement le bouton de commande de gaz et le tourner dans le sens horaire  jusqu'à OFF (Arrêt). Ne pas forcer.
3. Couper toute l'alimentation électrique à l'appareil si une réparation doit être effectuée.
4. Fermer la porte de commande.

CARACTÉRISTIQUES DE LA FLAMME DU BRÛLEUR PRINCIPAL



POSITION D'ALLUMAGE CORRECTE

Figure 31



NE JAMAIS SE PENCHER AU-DESSUS DU FOYER DURANT L'ALLUMAGE

Figure 32

⚠ AVERTISSEMENT

Ne JAMAIS faire fonctionner le foyer lorsque le couvercle contre les intempéries en option est en place.

Après 10 à 15 minutes de fonctionnement normal à plein régime, l'apparence de la flamme devrait devenir des langues de flammes jaunes.

AVIS : Par conception, les flammes ont un caractère aléatoire et leur hauteur varie constamment.

Lors de la fabrication, de l'usinage et de l'expédition, certaines pièces du foyer sont traitées avec certaines huiles, certains films ou produits adhésifs. Ces produits chimiques ne sont pas nocifs, mais peuvent causer une fumée et des odeurs déplaisantes lorsqu'ils sont brûlés lors de l'opération initiale du foyer. Cela est normal.

Le rodage initial nécessite 2 à 3 heures environ avec le brûleur à son réglage maximal. Toute odeur restante après ce rodage initial disparaîtra après une utilisation continue.

Les flammes du brûleur principal doivent être visuellement éteintes avant d'installer le couvercle contre les intempéries.

Si l'apparence de la flamme du brûleur est incorrecte, voir Dépannage, page 26.

Apparence de la flamme

La flamme du brûleur principal sera plutôt jaune.

Allumage et extinction de la flamme

Lorsque le brûleur principal est allumé, il faut jusqu'à une minute pour que le motif de flamme se développe.

Lorsque le brûleur principal est éteint, il faut jusqu'à une minute pour que le motif de flamme disparaisse. Il est normal que les flammes s'épuisent progressivement près du brûleur le temps que le restant de gaz soit brûlé.

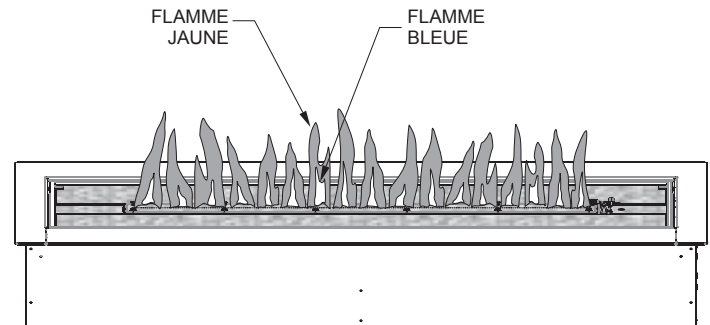


Figure 33 – Flamme correcte pour le Gaz Propane

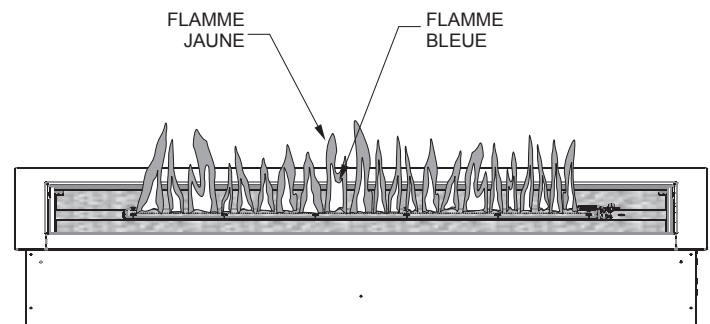


Figure 34 – Flamme correcte pour le Gaz Naturel

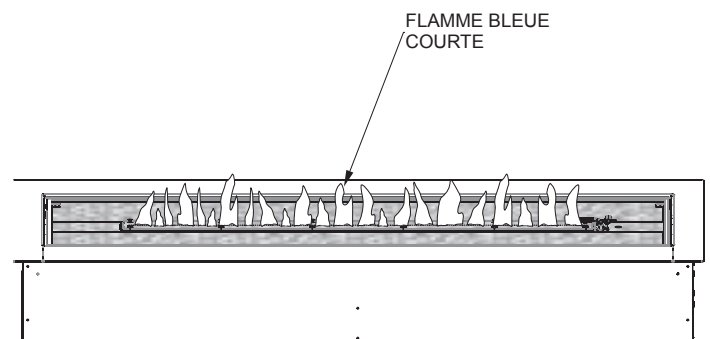


Figure 35 – Mauvaise flamme bleue et courte

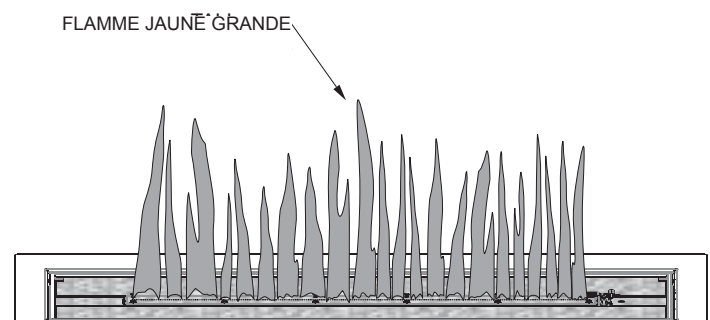


Figure 36 – Mauvaise flamme jaune et grande

INSTRUCTIONS D'UTILISATION / LAMPES À DEL

BOUTON DE LUMINOSITÉ DES DEL

Appuyer sur le bouton de luminosité pour activer les lampes à DEL et pour régler l'intensité des DEL de haute à basse à éteinte.

- 1 – Allumées – Fortes
- 2 – Moyennes
- 3 – Basses
- 4 – Éteintes

Utiliser le bouton de luminosité en conjonction avec le bouton de mode pour créer une apparence unique.

Les lampes s'allumeront selon le dernier mode enregistré. (Après une panne d'électricité, il faut réinitialiser les lampes au mode désiré.)

Éteindre les lampes à DEL qui ne sont pas utilisées.

BOUTON DE MODE DEL

Appuyer sur le bouton de mode pour ajuster le système d'éclairage à DEL pour passer du changement automatique de couleur à des couleurs individuelles.

- 1 – Cycle Auto – Rapide
- 2 – Cycle Auto – Graduel
- 3 – Pause du cycle automatique
- 4 – Bleu foncé
- 5 – Violet royal
- 6 – Rouge cardinal
- 7 – Vert océan
- 8 – Vert forêt
- 9 – Bleu tranquille
- 10 – Blanc

Si les DEL sont éteintes à l'aide du bouton gauche, la couleur ou le cycle choisis continueront lorsque les DEL sont rallumées.

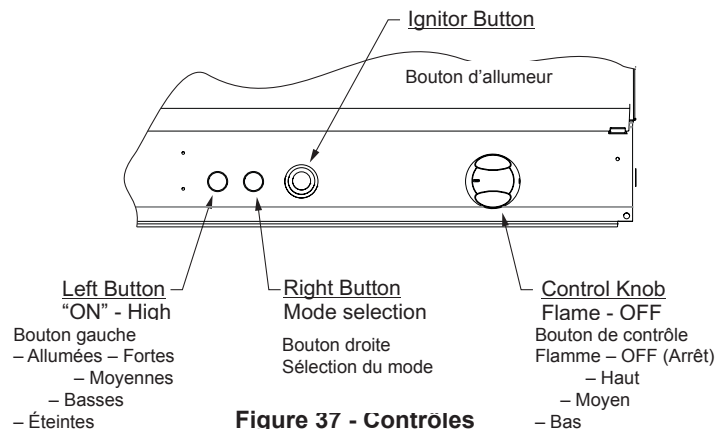


Figure 37 - Contrôles

AVIS : Les lampes à DEL s'éteignent automatiquement après deux heures. Les DEL s'allument lorsqu'on pousse le bouton gauche, selon le dernier mode sélectionné.

CÂBLAGE

Étiqueter tous les fils avant de les débrancher. Les erreurs de câblage peuvent entraîner un dysfonctionnement dangereux. Vérifier le bon fonctionnement après toute opération d'entretien.

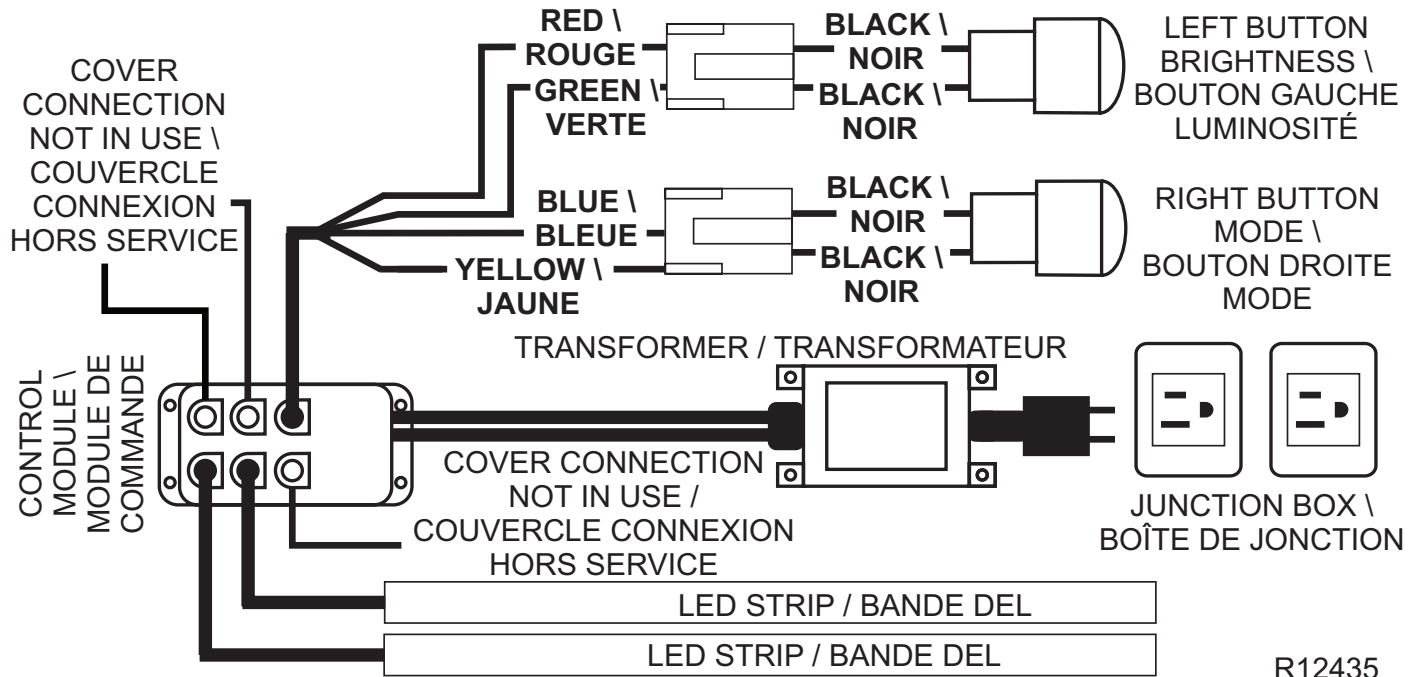


Figure 38 – Câblage du système à DEL

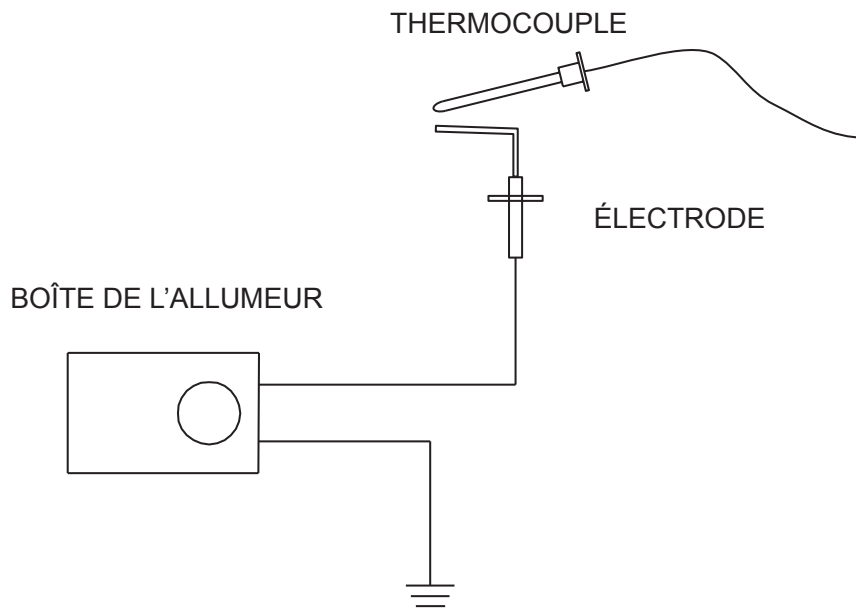


Figure 39 – Câblage du système allumeur électronique

ENTRETIEN

Garder le compartiment de commande et la zone autour du brûleur propre.

Toujours maintenir le voisinage du foyer dégagé et exempt de matières combustibles, d'essence et d'autres vapeurs et liquides inflammables.

Ne jamais obstruer le flux de combustion et la ventilation. Veuillez garder l'avant de l'appareil dégagé.

S'il faut faire l'entretien du brûleur, laisser le foyer refroidir puis enlever le verre pilé et les panneaux de pare-vent vitré (le cas échéant) avant de commencer. Il est recommandé d'utiliser un aspirateur propre pour enlever le verre pilé. Conserver et réutiliser le verre après l'entretien.

Instructions de nettoyage

Ce foyer est fabriqué en grande partie en acier inoxydable de haute qualité pour résister à la perforation par la rouille. Dans les applications extérieures, l'acier inoxydable formera une patine terne et, selon l'environnement local et des matériaux utilisés à l'installation, de l'oxydation (rouille) pourrait se former sur la surface. Cela est sans effet sur le fonctionnement du foyer et ne nécessite aucune mesure corrective. Si vous préférez garder la face intérieure de votre foyer d'allure neuve, nettoyez avec un nettoyant non abrasif pour l'acier inoxydable, au besoin.

Lorsque l'installation implique l'utilisation de produits acides comme le mortier ou la gravure de pierre, nous recommandons de nettoyer immédiatement le foyer avec un nettoyant non abrasif pour l'acier inoxydable.

AVERTISSEMENT

Ne pas utiliser de nettoyant abrasif ou d'ammoniac sur la vitre. Ne pas tenter de nettoyer la vitre alors qu'elle est chaude.

Nettoyage périodique – Voir l'emplacement des articles mentionnés ci-dessous dans le schéma des pièces.

- Ne pas utiliser de liquide nettoyant pour nettoyer une quelconque partie de ce foyer.
- Avec le temps, le verre pilé peut se briser en petits morceaux qui pourraient boucher les orifices du brûleur principal. Retirer les fines particules de verre dans les orifices du brûleur. Remplacer par du verre pilé neuf.

Nettoyage et inspection annuels – Se reporter au schéma des pièces pour connaître l'emplacement des articles mentionnés ci-dessous.

- Inspecter et nettoyer l'orifice d'admission d'air du brûleur. Éliminer les peluches et la poussière avec une brosse ou un aspirateur. Manquer de garder les entrées d'air propre peut causer de la suie et une mauvaise combustion.
- Inspecter et nettoyer tous les orifices du brûleur. Brosser le verre pilé hors du brûleur et souffler les orifices avec une bombonne d'air comprimé.
- Inspecter l'allumeur et le thermocouple, nettoyer avec un essuie-tout humide.
- Vérifier la bonne forme des flammes.
- Vérifier si le brûleur principal s'allume aisément et spontanément.
- Les araignées et autres petits insectes peuvent construire des toiles ou des nids à l'intérieur ou sur le brûleur, bouchant la circulation d'air. Un incendie ou un retour de flamme peut se produire dans ou autour d'une obstruction et causer une condition dangereuse causant des dommages au foyer. Pour réduire le risque, inspecter au moins deux fois par mois le brûleur lorsque les araignées sont actives et éliminer tout nid ou toute toile. Si le foyer n'a pas été utilisé pendant une longue durée, bien inspecter le brûleur et le foyer avant l'utilisation.

DÉPANNAGE

SYMPTÔMES - CAUSES POSSIBLES ET CORRECTION

Éteindre le foyer et le laisser refroidir avant tout entretien. L'entretien et les réparations du foyer doivent impérativement être effectués par un technicien d'entretien qualifié.

- 1. Le foyer produit des odeurs indésirables.**
 - a. Le foyer produit des vapeurs en raison de la combustion de pellicule de plastique qui n'a pas été enlevée, de bougies parfumées et de torches, de colles, etc. – Ventiler la zone. Cesser d'utiliser des produits causant des odeurs lorsque le foyer est en marche.
 - b. Fuite de gaz – Trouver et éliminer toutes les fuites.
- 2. Le foyer s'éteint durant la marche. (Le brûleur est éteint.)**
 - a. Trop de verre pilé sous la thermopile.
 - b. Pression de tuyauterie faible – Contacter le fournisseur de gaz local.
 - c. Le capteur de flamme est défectueux – Remplacer le thermocouple.
 - d. Les vents forts écartent la flamme du détecteur pendant une longue durée. Rallumer le brûleur. Si cela se produit souvent, l'utilisation du pare-vent en verre en option peut aider. Voir les accessoires à la page 6.
- 3. L'électrode ne produit pas d'étincelle ou de déclic lorsque le bouton d'allumeur est enfoncé.**
 - a. Vérifier l'orientation de la pile ou la remplacer.
 - b. Nettoyer le verre pilé autour de l'électrode.
 - c. Le fil de mise à la terre de l'allumeur est desserré ou détaché de l'allumeur.
 - d. Le fil de l'électrode est desserré ou détaché de l'allumeur.
 - e. Vérifier la distance entre la thermopile et la pointe de l'électrode. La distance doit être réglée à 3/16 po (5 mm) ± 1/16 po (1,6 mm).
 - f. Problème de câblage. Réparer ou remplacer l'ensemble de l'électrode.
 - g. Électrode cassée. Remplacer l'ensemble de l'électrode.
 - h. Allumeur défectueux. Remplacer l'allumeur.
- 4. Odeur de gaz même avec le bouton de commande en position OFF (Arrêt).**
 - a. Couper l'alimentation en gaz principale et appeler un installateur qualifié.
 - b. Fuite de gaz – Trouver et éliminer toutes les fuites.
 - c. Vanne de commande défectueuse – Changer la vanne de commande.
- 5. Le brûleur ne s'allume pas.**
 - a. Le bouton de commande n'est pas tenu assez longtemps.
 - b. Verre pilé incolore sous la thermopile.
 - c. Nettoyer et/ou remplacer le thermocouple.
- 6. Le brûleur ne reste pas allumé.**
 - a. L'orifice du brûleur est obstrué – Nettoyer le brûleur ou changer l'orifice du brûleur principal.
 - b. La pression d'admission de gaz est insuffisante – Appeler un technicien d'entretien qualifié.
- 7. En cas de combustion au niveau de l'orifice de brûleur principal (bruit de chalumeau fort et ronflant).**
 - a. Éteindre le foyer et appeler un technicien d'entretien qualifié.
 - b. La pression du distributeur est insuffisante – Consulter la compagnie de gaz locale.
 - c. L'orifice du brûleur est obstrué – Nettoyer le brûleur ou remplacer l'orifice du brûleur.
- 8. Le foyer produit un sifflement lorsque le brûleur principal est allumé.**
 - a. Le bouton de commande est à la position HIGH (HAUTE) lorsque le brûleur principal est froid – Tourner le bouton de commande à la position LOW (BASSE) et le laisser se réchauffer une minute.
 - b. Air dans la conduite de gaz – Faire fonctionner le brûleur jusqu'à ce que l'air soit purgé de la conduite. Faire inspecter la conduite de gaz par la compagnie de gaz locale.
 - c. Orifice du brûleur sale ou partiellement obstrué – Nettoyer le brûleur ou remplacer l'orifice du brûleur.
- 9. Le foyer produit de la suie ou des retours de flamme.**
 - a. Gaz de qualité médiocre – Contacter immédiatement la compagnie de gaz locale.
- 10. La pression du gaz au foyer est faible.**
 - a. Contacter immédiatement la compagnie de gaz locale.

LISTE DES DISTRIBUTEURS DE PIÈCES PRINCIPAUX

Pour commander des pièces sous garantie, adressez-vous au revendeur Empire local. Veuillez voir le concessionnaire au www.empirecomfort.com. Pour assurer un service sous garantie, le revendeur doit connaître votre nom, votre adresse, la date d'achat et le numéro de série du produit, ainsi que la nature du problème.

Pour commander des pièces après expiration de la période de garantie, veuillez communiquer avec votre revendeur ou avec l'un des distributeurs de pièces principaux indiqués ci-dessous. Cette liste est complétée de temps à autre. Pour consulter la liste courante, cliquez sur le bouton Master Parts à www.empirecomfort.com.

Remarque : Les distributeurs de pièces principaux sont des sociétés indépendantes qui stockent les pièces de rechange d'origine les plus couramment commandées pour les radiateurs, barbecues et foyers fabriqués par Empire Comfort Systems Inc.

Dey Distributing

1401 Willow Lake Boulevard
Vadnais Heights, MN 55101

Téléphone : 651-490-9191

Sans frais : 800-397-1339

Site Web : www.deydistributing.com

Pièces : Radiateurs, âtres et barbecues

F. W. Webb Company

200 Locust Street
Hartford, CT 06114

Téléphone : 860-722-2433

Sans frais : 800-243-9360

Télécopieur : 860-293-0479

Télec. sans frais : 800-274-2004

Sites Web : www.fwwebb.com et www.victormfg.com

Pièces : Radiateurs, âtres et barbecues

East Coast Energy Products

10 East Route 36
West Long Branch, NJ 07764

Téléphone : 732-870-8809

Sans frais : 800-755-8809

Télécopieur : 732-870-8811

Site Web : www.eastcoastenergy.com

Pièces : Radiateurs, âtres et barbecues

COMMENT COMMANDER DES PIÈCES DE RECHANGE

Pièces hors garantie

Les pièces peuvent être commandées auprès d'un réparateur, d'un revendeur ou d'un distributeur de pièce. Voir la liste des distributeurs de pièces principaux plus haut sur cette page. Pour obtenir de meilleurs résultats, il est conseillé au **réparateur ou revendeur** de commander les pièces auprès du distributeur. Les pièces peuvent être expédiées directement au **réparateur ou revendeur**.

Pièces sous garantie

Les pièces sous garantie nécessitent un justificatif d'achat et peuvent être commandées auprès du réparateur ou du revendeur. La preuve d'achat est **requis** pour les pièces sous garantie.

Toutes les pièces figurant dans la Nomenclature des pièces comportent une Référence. Lors de la commande de pièces, voir d'abord le Numéro de modèle sur la plaque signalétique de l'appareil. Déterminer ensuite le numéro de pièce (**pas** le numéro de Repère) et la Description de chaque pièce à l'aide de l'illustration suivante et de la liste. Veiller à bien fournir tous ces renseignements. . .

Numéro de modèle de l'appareil _____ Description de la pièce _____

Numéro de série de l'appareil _____ Numéro de pièce _____

Type de gaz (propane ou gaz naturel) _____

Ne pas commander de boulons, vis, rondelles ou écrous. Ce sont des articles de visserie standard pouvant être achetés dans toute quincaillerie ou tout magasin de bricolage.

Envois sous réserve de grèves, incendie et autres causes indépendantes de notre volonté.

LISTE DES PIÈCES DES MODÈLES OL48TP ET OL60TP

UTILISER EXCLUSIVEMENT DES PIÈCES DE RECHANGE D'ORIGINE. L'UTILISATION DE TOUTE AUTRE PIÈCE PEUT CAUSER DES BLESSURES OU LA MORT.

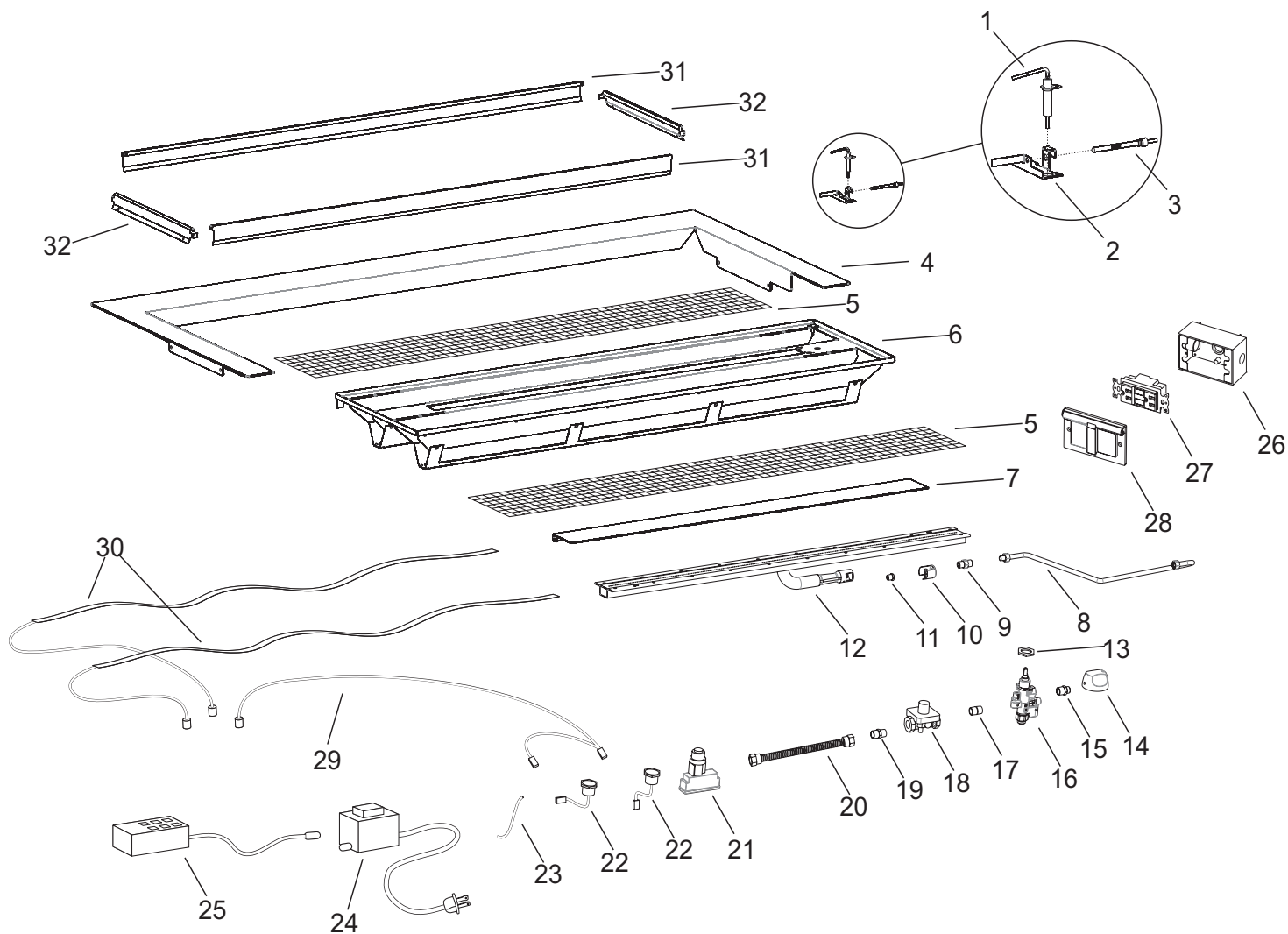
Repère	N° de pièce	MODÈLE - OL48TP Description	Qté req.	
			NAT	PL
1	R12388	ENSEMBLE D'ÉLECTRODE ET DE FIL	1	1
2	37767	FERRURE THERMOCOUPLE	1	1
3	R685	THERMOCOUPLE 22 PO (559 mm)	1	1
4	37789	DESSUS EXTÉRIEUR	1	1
5	R11802	GRILLAGE DE RECOUVREMENT, DEL	2	2
6	37818	ENSEMBLE PLAQUE DE BRÛLEUR	1	1
7	37791	PORTE DE CONTRÔLE	1	1
8	33258	ENSEMBLE DE TUBULURE	1	1
9	P271	RACCORD, ORIFICE	1	1
10	R10808	OBTURATEUR D'AIR INOXYDABLE	1	1
11	P282	ORIFICE N° 24 (NAT)	1	0
11	P181	ORIFICE N° 43 (GPL)	0	1
12	37816	ENSEMBLE SOUDÉ, BRÛLEUR	1	1
13	R1652	CONTRE-ÉCROU (VALVE)	1	1
14	B101848	BOUTON DE COMMANDE GAZ	1	1
15	R7195	CONNECTEUR MÂLE, LAITON	1	1
16	R11916	VANNE MANUELLE (GPL)	0	1
16	R11829	VANNE MANUELLE (NAT)	1	0
17	R8898	MAMELON 3/8 x 3/8 x 1 PO FER NOIR (NAT)	1	0
18	R7160	RÉGULATEUR 4,5 PO CE (1,12 kPa) (NAT)	1	0
19	R10882	COUDE, 90 DEG, LAITON 3/8 PO ÉVASÉ X 3/8 PO NPT	1	1
20	B101393	CONDUITE FLEXIBLE – JAUNE	1	1
21	B072218	ALLUMEUR ÉLECTRONIQUE	1	1
22	R11921	BOUTON, INTERRUPTEUR	2	2
23	R11932	FIL DE TERRE, ALLUMEUR	1	1
24	R11920	TRANSFORMATEUR, DEL	1	1
25	R12693	MODULE DE COMMANDE, DEL	1	1
26	R11942	BOÎTE DE JONCTION	1	1
27	R3492	PRISE, 3 LAMES	1	1
28	R11943	COUVERCLE, BOÎTE DE JONCTION	1	1
29	R11924	FAISCEAU DE CÂBLES, INTERRUPTEUR	1	1
30	R11918	BANDE D'ÉCLAIRAGE, DEL	2	2
31	37785	GARNITURE (48)	2	2
32	37784	GARNITURE, CÔTÉ	2	2
N.A.	R11843	VIS À ÉPAULEMENT, 1/4 PO, 10-24 x 3/8 PO (9,5 mm)	2	2
N.A.	R11891	CRÉPINE DE VENTURI	1	1
N.A.	37880	BÉQUILLE	2	2
N.A.	R11955	FICHE, MODULE DE COMMANDE (INC. AVEC N° 25)	3	3

N.A. – NON AFFICHÉ

Repère	N° de pièce	MODÈLE – OL60TP Description	Qté req.	
			NAT	PL
1	R12388	ENSEMBLE D'ÉLECTRODE ET DE FIL	1	1
2	37767	FERRURE THERMOCOUPLE	1	1
3	R685	THERMOCOUPLE 22 PO (559 mm)	1	1
4	37790	DESSUS EXTÉRIEUR	1	1
5	R11982	GRILLAGE DE RECOUVREMENT, DELS	2	2
6	37819	ENSEMBLE PLAQUE DE BRÛLEUR	1	1
7	37792	PORTE DE CONTRÔLE	1	1
8	33258	ENSEMBLE DE TUBULURE	1	1
9	P271	RACCORD, ORIFICE	1	1
10	R10808	OBTURATEUR D'AIR INOXYDABLE	1	1
11	P325	ORIFICE N° 12 (NAT)	1	0
11	P256	ORIFICE N° 41 (GPL)	0	1
12	37817	ENSEMBLE BRÛLEUR SOUDÉ	1	1
13	R1652	CONTRE-ÉCROU (VALVE)	1	1
14	B101848	BOUTON DE COMMANDE GAZ	1	1
15	R7195	CONNECTEUR MÂLE, LAITON	1	1
16	R11916	VANNE MANUELLE (GPL)	0	1
16	R11829	VANNE MANUELLE (NAT)	1	0
17	R8898	MAMELON 3/8 x 3/8 x 1 PO FER NOIR (NAT)	1	0
18	R7160	RÉGULATEUR 4,5 PO CE (1,12 kPa) (NAT)	1	0
19	R12078	RACCORD, 1/2 ÉVASÉ X 3/8 MNPT	1	1
20	R12077	CONDUIT FLEXIBLE, 1/2 ÉVASÉ X 25 po (635 mm)	1	1
21	B072218	ALLUMEUR ÉLECTRONIQUE	1	1
22	R11921	BOUTON INTERRUPTEUR	2	2
23	R11932	FIL DE TERRE, ALLUMEUR	1	1
24	R11920	TRANSFORMATEUR, DEL	1	1
25	R11919	MODULE DE COMMANDE, DEL	1	1
26	R11942	BOÎTE DE JONCTION	1	1
27	R3492	PRISE, 3 LAMES	1	1
28	R11943	COUVERCLE, BOÎTE DE JONCTION	1	1
29	R11924	FAISCEAU DE CÂBLES, INTERRUPTEUR	1	1
30	R11986	BANDE D'ÉCLAIRAGE, DEL	2	2
31	37786	GARNITURE (60)	2	2
32	37784	GARNITURE, CÔTÉ	2	2
N.A.	R11843	VIS À ÉPAULEMENT, 1/4 PO, 10-24 x 3/8 PO (9,5 mm)	2	2
N.A.	R11891	CRÉPINE DE VENTURI	1	1
N.A.	37880	BÉQUILLE	2	2
N.A.	R11955	FICHE, MODULE DE COMMANDE (INC. AVEC N° 25)	3	3

N.A. – NON AFFICHÉ

VUES ÉCLATÉES DES MODÈLES OL48TP ET OL60TP



CERTAINS
COMPOSANTS
PEUVENT DIFFÉRÉS
DE L'IMAGE.

CONDITIONS DE LA GARANTIE

Empire Comfort Systems Inc. garantit que ce produit à foyer est exempt de défauts au moment de l'achat et pendant les périodes indiquées ci-dessous. Les produits à foyer doivent être installés par un technicien qualifié et doivent être entretenus et utilisés de façon sécuritaire, en conformité avec les instructions du mode d'emploi. Cette garantie est accordée à l'acheteur initial seulement et n'est pas transférable. Toutes les réparations sous garantie doivent être exécutées par un technicien d'appareil au gaz qualifié.

Garantie limitée de cinq ans sur les pièces - Tous les composants

(À l'exception des télécommandes, thermostats, accessoires et pièces de rechange)

En cas de défaillance d'une pièce en raison de défauts de matériel ou de main-d'œuvre dans les trois (3) ans à compter de la date d'achat, Empire s'engage à la réparer ou à la remplacer, au choix d'Empire.

Garantie limitée d'un an sur les pièces - Télécommandes, thermostats, accessoires et pièces

En cas de défaillance d'une télécommande, d'un thermostat, d'un accessoire ou d'une pièce en raison de défauts de main-d'œuvre dans un délai d'un an à compter de la date d'achat, Empire s'engage à réparer ou à remplacer, au choix d'Empire.

Obligations du propriétaire

L'appareil doit être installé par un installateur qualifié et utilisé en conformité avec les instructions fournies avec l'appareil. Conserver une facture, un chèque oblitéré ou un justificatif de paiement pour attester de la date d'achat et établir la période de garantie. Un accès immédiat à l'appareil pour le service.

Ce qui n'est pas couvert

Dommages résultant de l'utilisation, d'une utilisation abusive ou d'une mauvaise installation de l'appareil.

Les frais de déplacement, de diagnostic et de transport sur les pièces sous garantie vers et depuis de l'usine.

Les réclamations qui n'impliquent pas des défauts de pièces ou de main-d'œuvre.

Service ou remplacements de pièces non autorisés.

Frais de désinstallation et de réinstallation.

Inopérable en raison d'un manque ou d'un mauvais entretien.

Comment recourir à la garantie

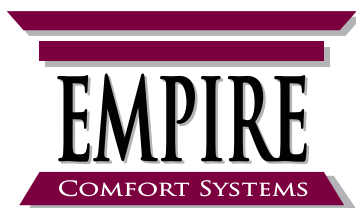
Pour soumettre une réclamation en garantie, veiller à avoir le reçu à disposition et communiquer avec le revendeur installateur.

Indiquer au revendeur le numéro de modèle, le numéro de série, le type de gaz et le justificatif d'achat. Le revendeur installateur a pour responsabilité d'assurer la réparation et s'adressera à l'usine pour mettre en œuvre tout remplacement de pièces sous garantie. Empire met les pièces de rechange à disposition à l'usine. Les frais de port ne sont pas couverts.

Si, après s'être adressé au revendeur Empire, le service reçu n'est pas satisfaisant, communiquer avec : Consumer Relations Department, Empire Comfort Systems Inc., P.O. Box 529, Belleville, Illinois 62222 (États-Unis) ou envoyer un courriel à info@empirecomfort.com en indiquant «Consumer Relations» dans le champ de sujet.

Vos droits en vertu de la loi provinciale

Cette garantie vous accorde des droits juridiques particuliers, toutefois vous pouvez avoir d'autres droits, qui varient d'une province à l'autre.



SINCE 1932

Empire Comfort Systems Inc.
Belleville, Illinois

Pour toute question générale concernant nos produits, veuillez nous envoyer un courriel à info@empirecomfort.com.

Pour toute question d'entretien ou de réparation, veuillez contacter votre revendeur.

www.empirecomfort.com